

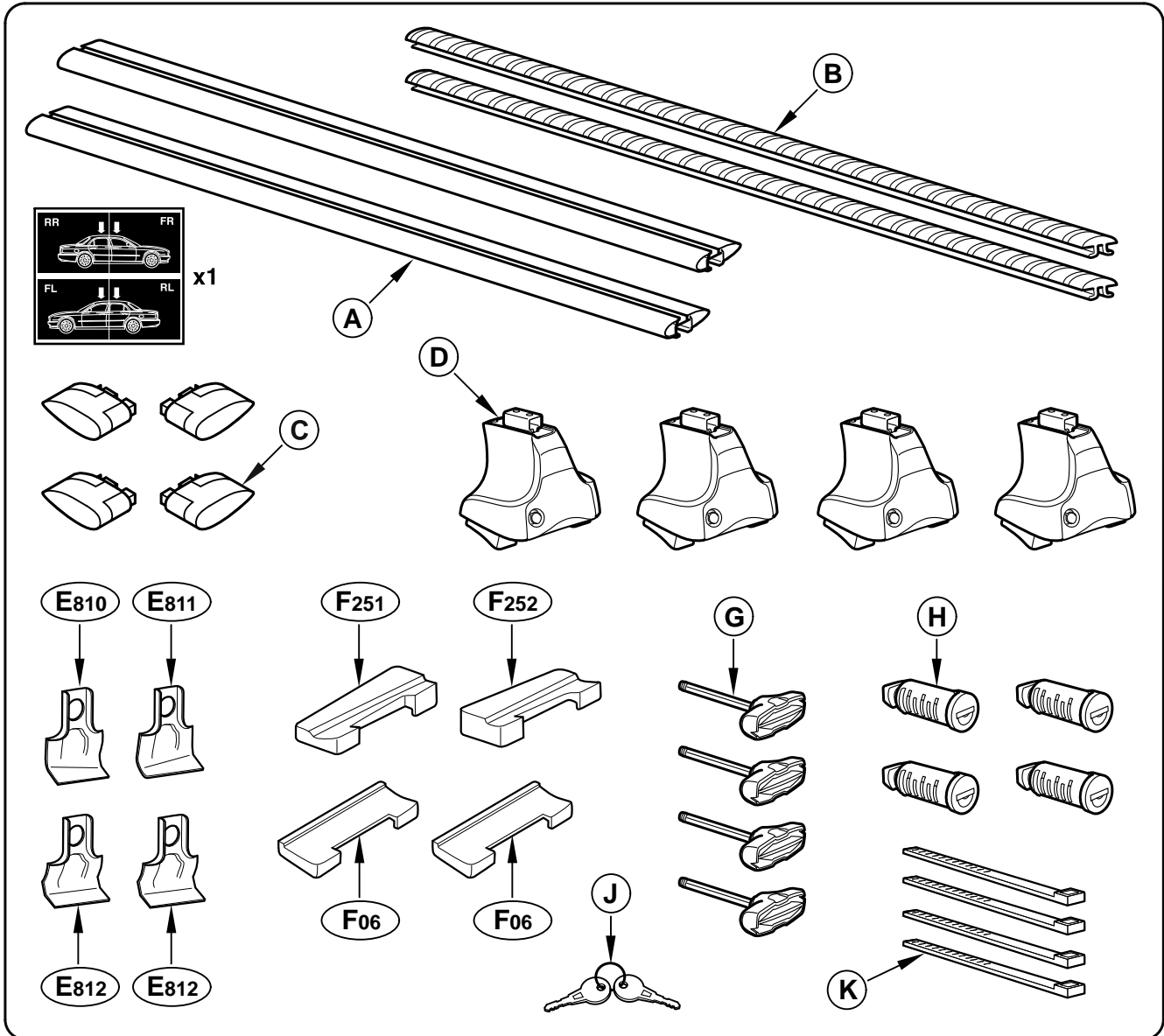
**XF**

**Roof Cross Bars**

Jaguar accessory fitting instructions can be found at the URL below:  
[www.jaguartechno.com/extfree2viewjagprod/index.jsp](http://www.jaguartechno.com/extfree2viewjagprod/index.jsp)

XF

Roof Cross Bars

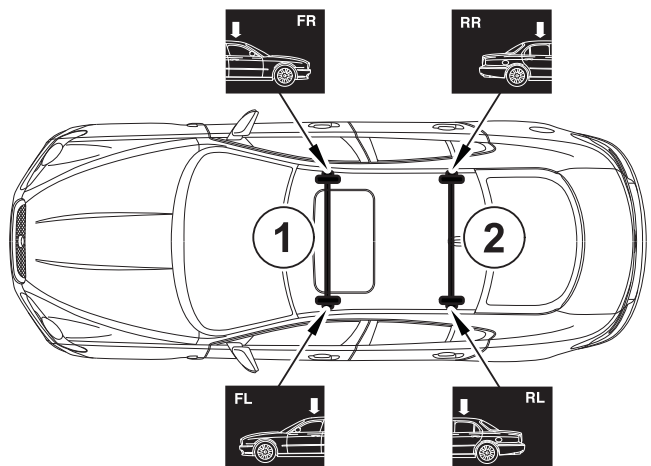
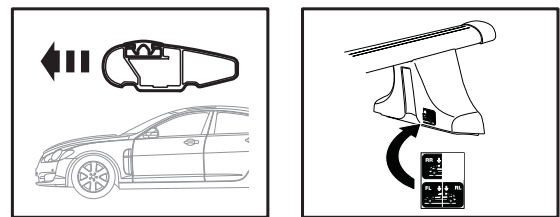
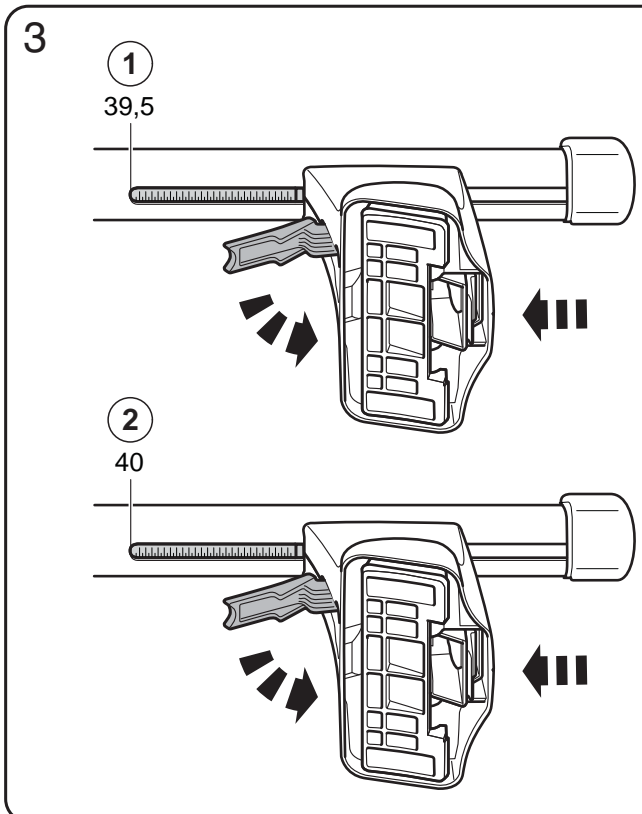
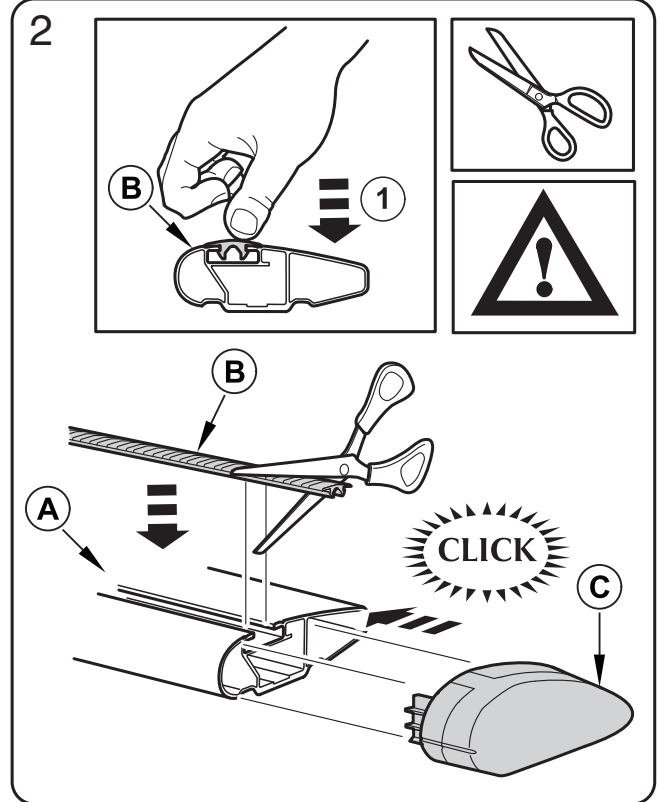
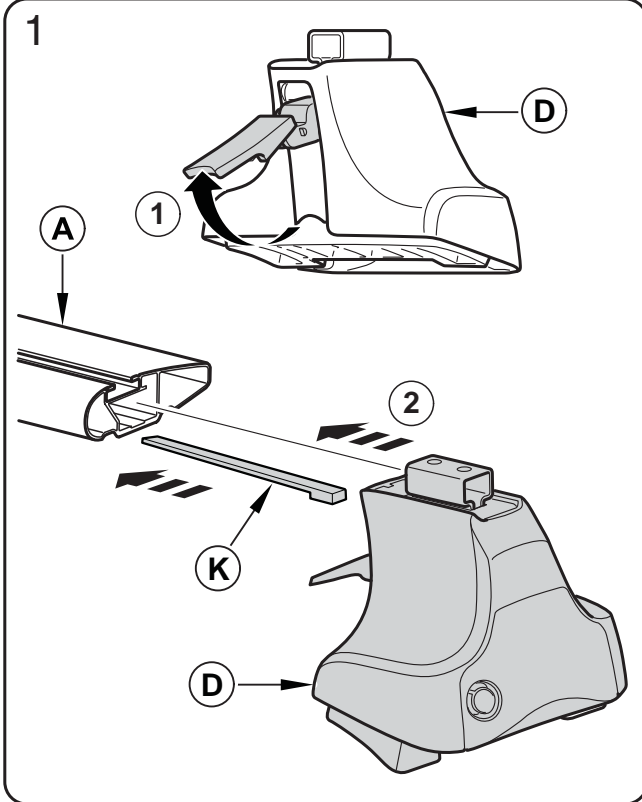


**Content of kit**

- A. Roof bars
- B. Rubber strips
- C. End caps
- D. Roofbar feet
- E. Mounting legs
- F. Feet pads
- G. Torque Indicator
- H. Key barrels
- J. Keys
- K. Floating Scales

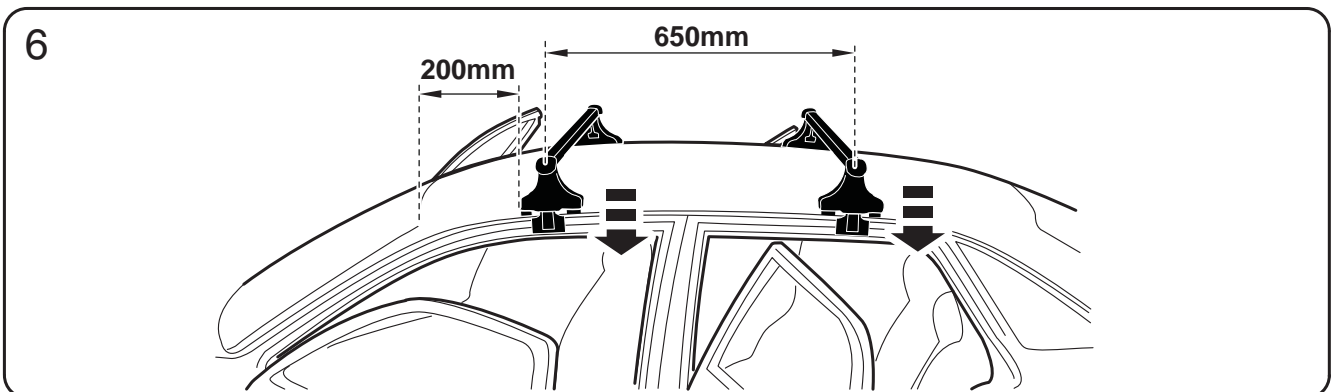
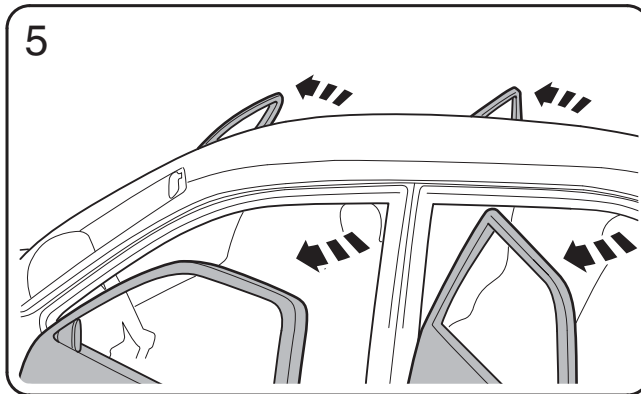
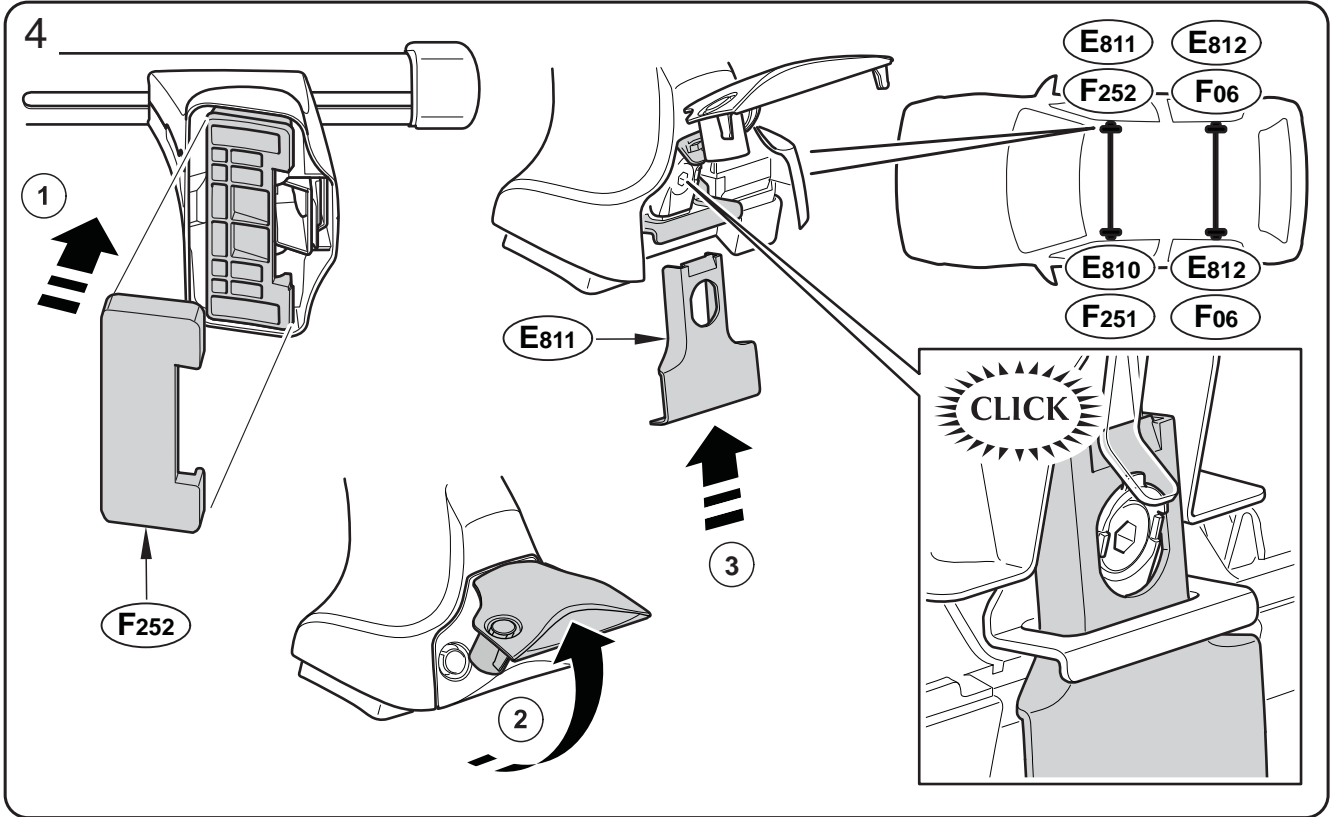
**XF**

**Roof Cross Bars**



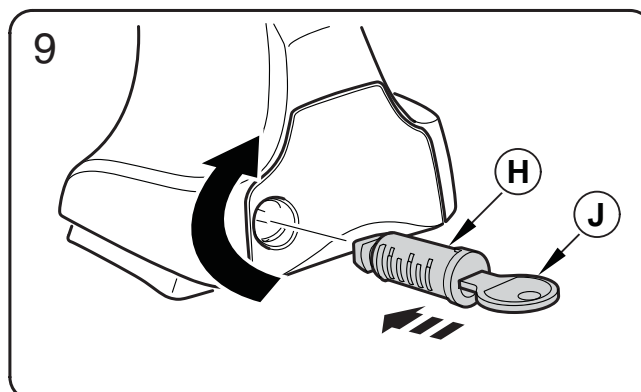
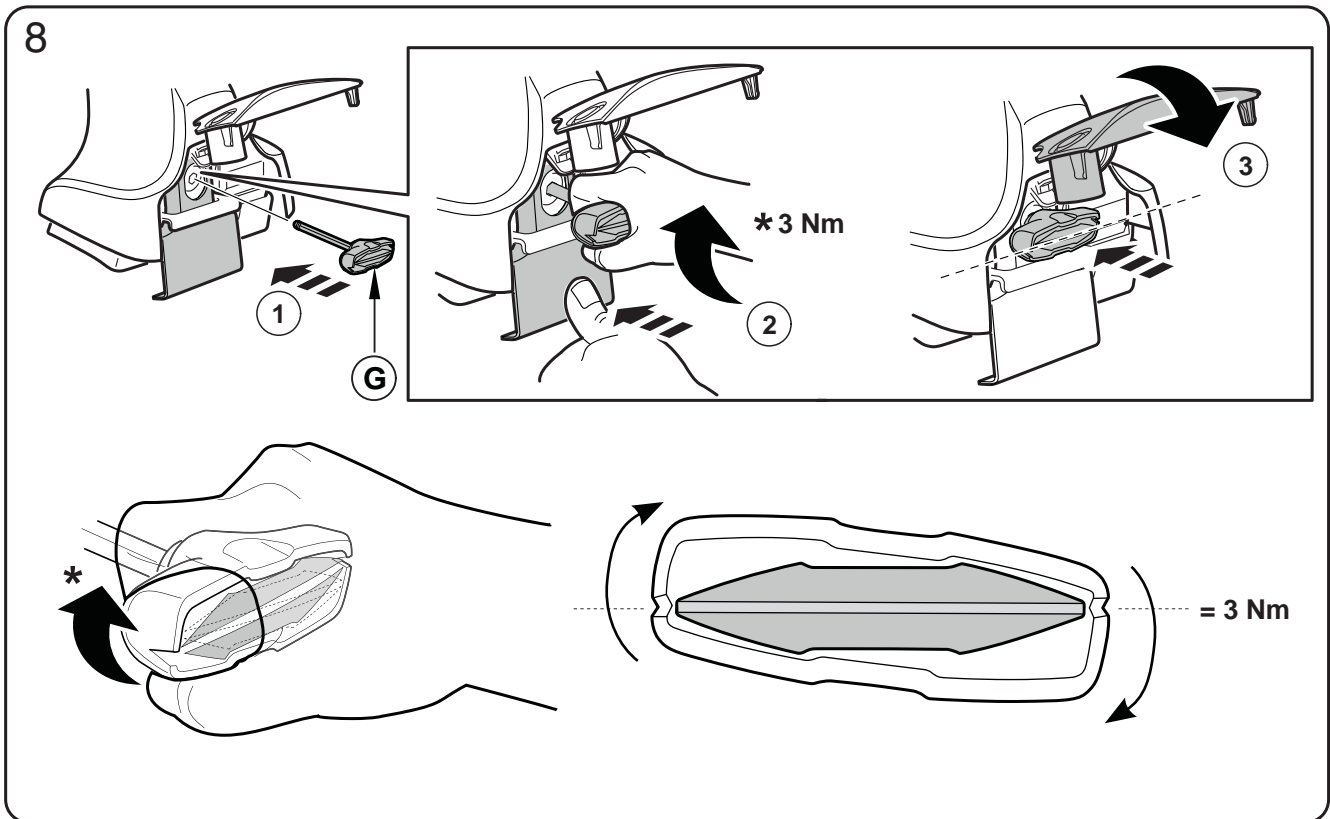
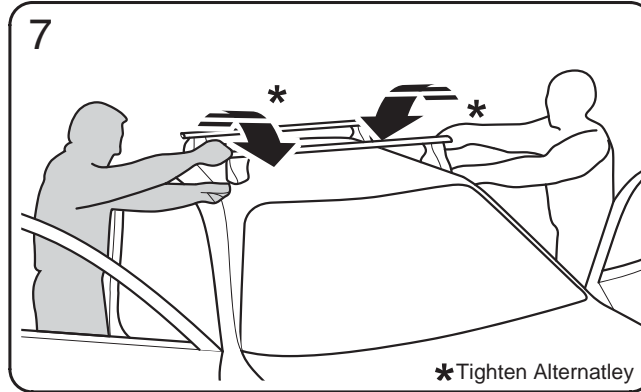
XF

Roof Cross Bars



**XF**

**Roof Cross Bars**



**XF**

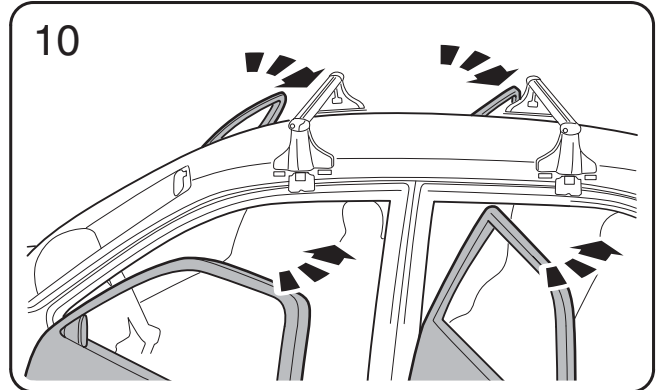
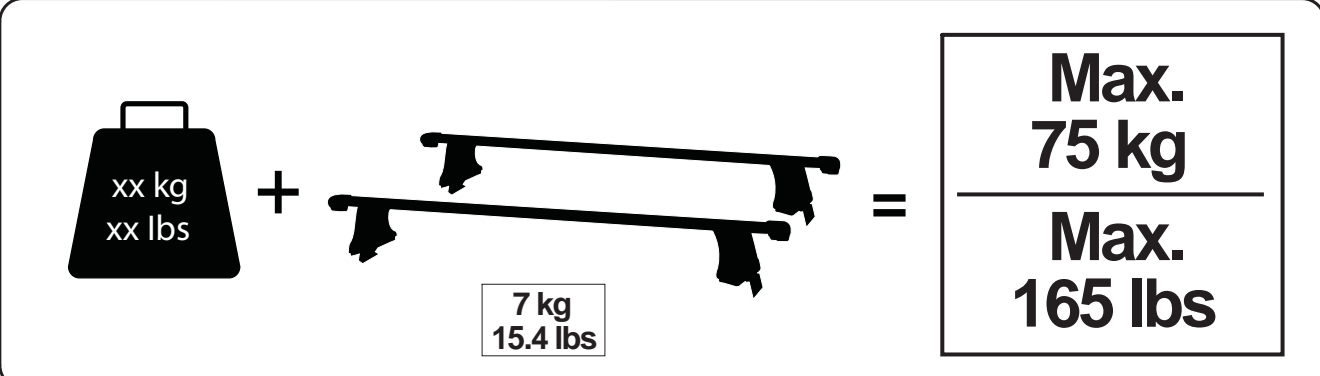
**Roof Cross Bars**

**Notes:**

10. Carefully shut the doors of the car. If the doors do not shut properly, this may be due to a number of reasons:-
- i) the load carriers have not been sufficiently tightened.
  - ii) the load carriers may have moved out of position on the roof.

**Removing the load carrier**

To make fitting easier the next time, undo the Handles the same number of turns on each of the load carrier feet.

xx kg  
xx lbs

+

7 kg  
15.4 lbs

=

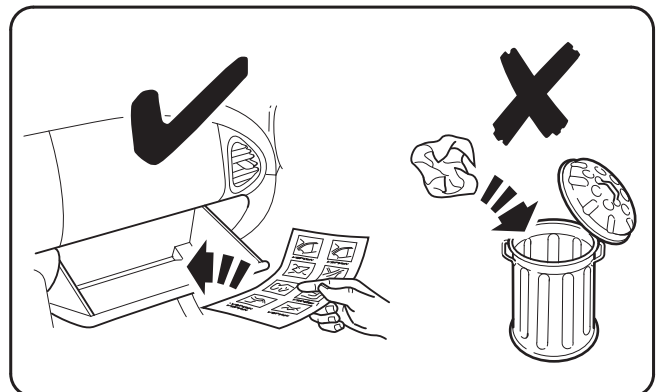
**Max.  
75 kg**

---

**Max.  
165 lbs**

**Warning**

- Do not overload the roof bars.
- Ensure that your load is firmly secured to the roof bars when driving on any roads, but particularly on rough roads or tracks.
- Always check the security of the load and the roof bars after the first few miles.
- Avoid harsh acceleration and braking when carrying loads on the roof bars.
- Negotiate sharp bends with caution; do not take at high speed.
- Always be aware of the load you are carrying, especially if the load is long and overhangs the front or rear of the vehicle.
- Do not carry unsecured loads.
- Always place loads across both roof bars and, preferably, in the centre of the vehicle.
- Seek assistance when placing heavy or awkward loads on the roof bars.
- Vehicle handling characteristics change when roof bars are loaded.
- When laden the surface area exposed to the wind is increased.
- Consequently the driver must adapt his/her driving technique to suit.
- It is recommended vehicle speed should not exceed 70mph.
- Roof transports must comply with national and all other relevant country-specific regulations
- Pay attention to the altered vehicle dimensions.
- DO NOT PUT YOUR CAR THROUGH A CAR WASH WITH BARS OR ACCESSORIES FITTED.**
- ALWAYS KEEP INSTRUCTION BOOKLET WITH MANUFACTURER'S HANDBOOK FOR FUTURE REFERENCE.**
- KEEP A RECORD OF YOUR KEY NUMBER OF YOUR ROOF BARS AS WELL AS YOUR ACCESSORIES.**
- REMOVE ROOF BARS AS WELL AS YOUR ACCESSORIES WHEN NOT IN USE.**



Issue 1

**MY 2008**

Part No.

**C2Z 20474**