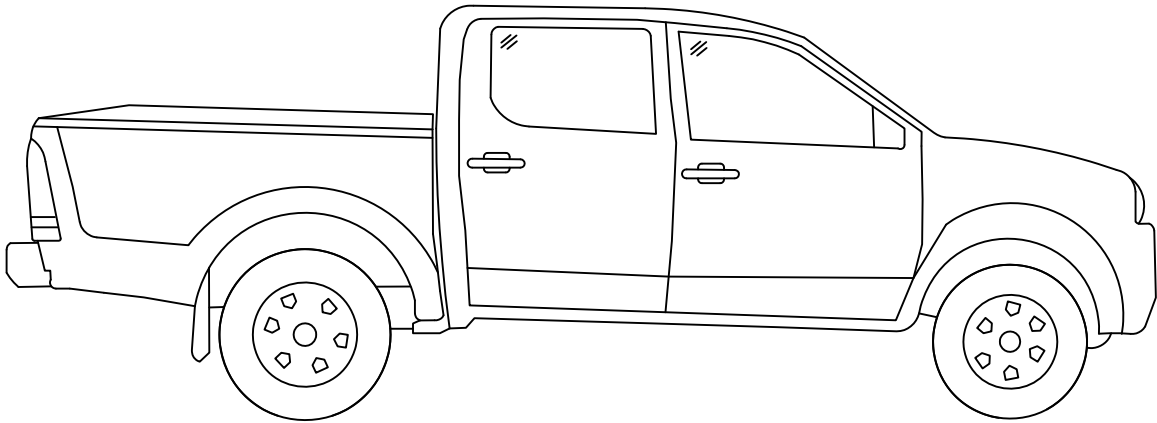


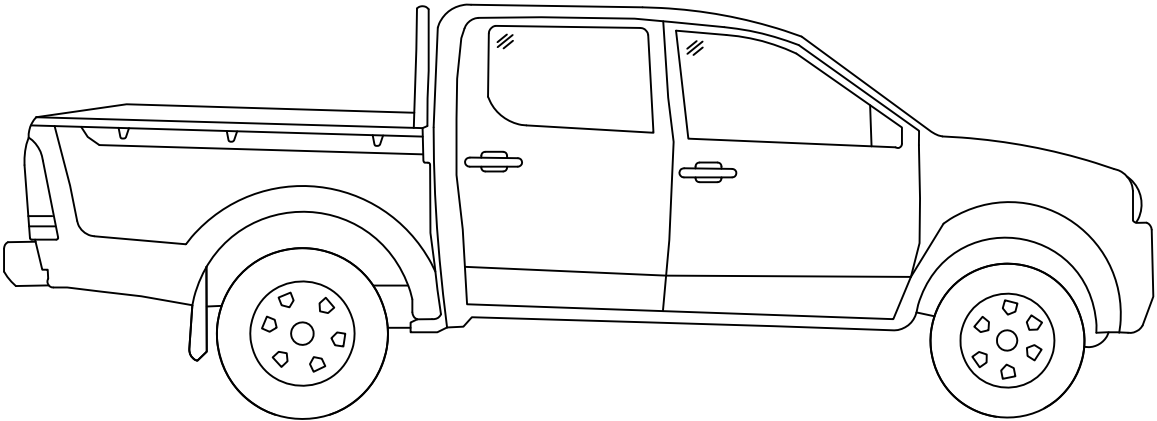


# INSTALLATION GUIDE TOYOTA HILUX

"A" DECK (SMOOTH SIDE)



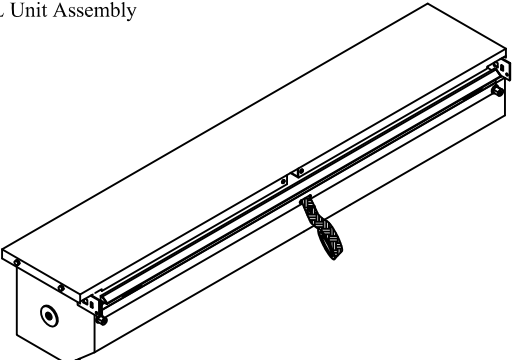
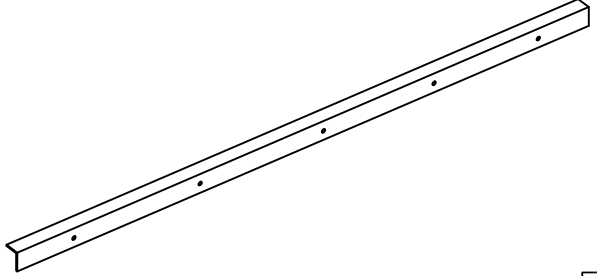
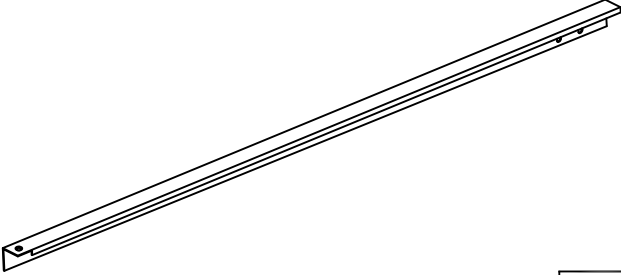
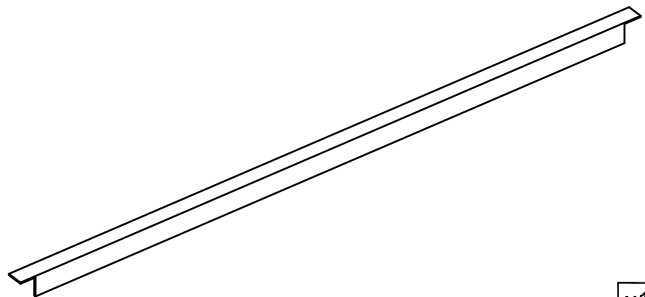
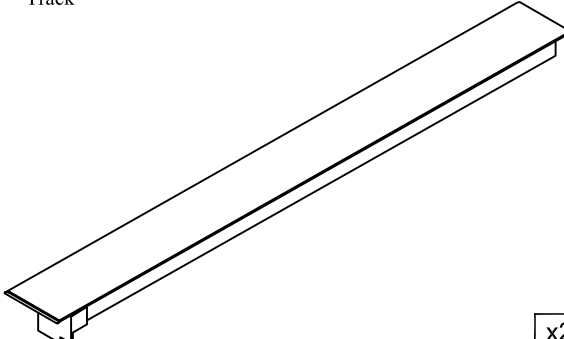
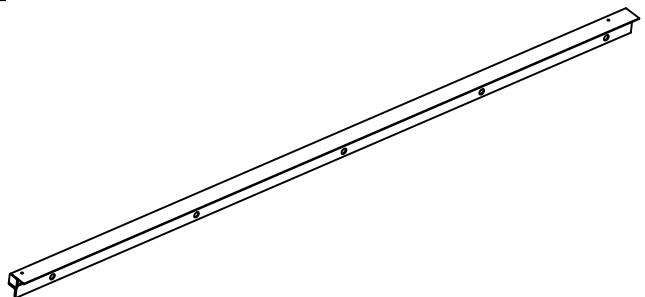
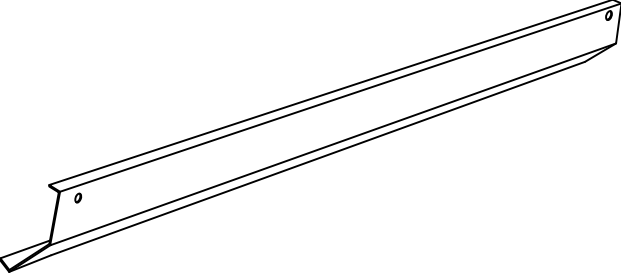
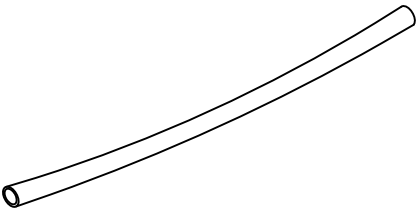
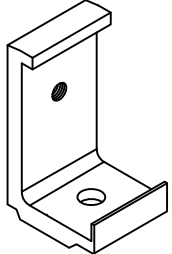
"J" DECK (HOOK SIDE)

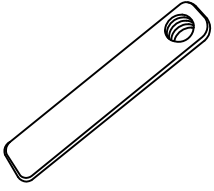
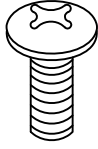
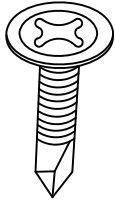
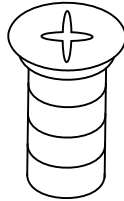
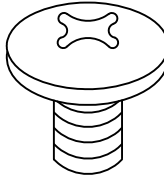
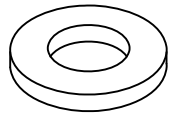
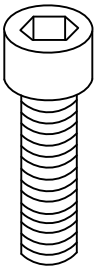
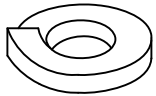
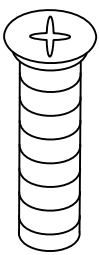
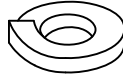
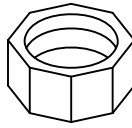
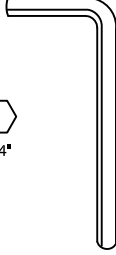


PRODUCT CODE:

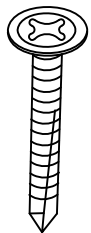
517M

November 1, 2012

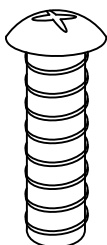

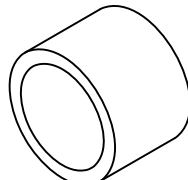
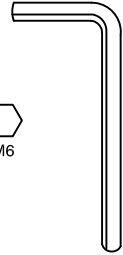
<p><b>A</b> RNL Unit Assembly</p>  <p>x1</p>	<p><b>B</b> Header Flange</p>  <p>x1</p>
<p><b>C</b> Track Flange</p>  <p>x2 L/R</p>	<p><b>D</b> Header Flashing</p>  <p>x1</p>
<p><b>E</b> Track</p>  <p>x2 L/R</p>	<p><b>F</b> Tailgate Extrusion</p>  <p>x1</p>
<p><b>G</b> Cargo Shield</p>  <p>x1</p>	<p><b>H</b> Drain Tube</p>  <p>x2</p>
<p><b>I</b> Bed Clamp</p>  <p>x6</p>	<p>Page 2/15</p>

<b>J</b> Cargo Nut  x2	<b>K</b> #10-24 X 1/2" Bolt  x2	<b>L</b> #8 X 3/4" Self Drilling Screw  x10	<b>M</b> 1/4-20 X 3/4" Lid Screw  x2	<b>N</b> 1/4-20 X 3/8" Truss head  x4	<b>O</b> Rubber Washer  x4
<b>P</b> 5/16"-18 Socket Cap Screw  x6	<b>Q</b> 5/16" Lock Washer  x6	<b>R</b> 1/4-20 X 1" Black Screw  x2	<b>S</b> 1/4" Lock Washer  x2	<b>T</b> 1/4"-20 Hex Nut  x2	<b>U</b> 1/4" Hex Key  x1

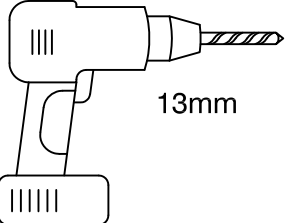
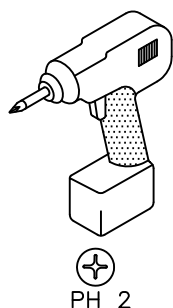

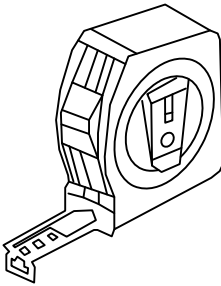

**"A"-DECK (SMOOTH SIDE) APPLICATION**

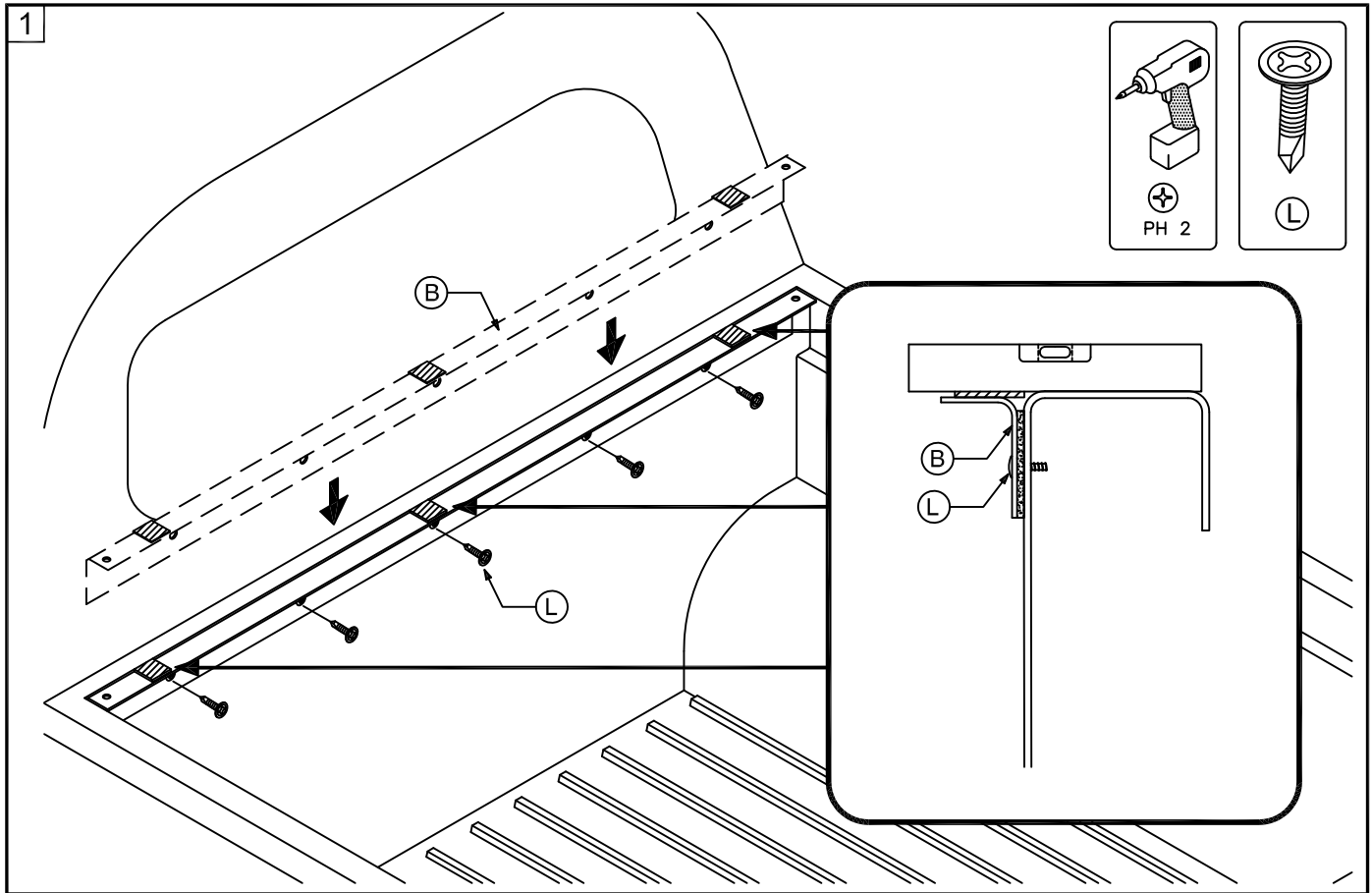
<b>V</b> #8 X 1 1/4" Self Drilling Screw  x6	
--	--

**"J"-DECK (HOOK SIDE) APPLICATION**

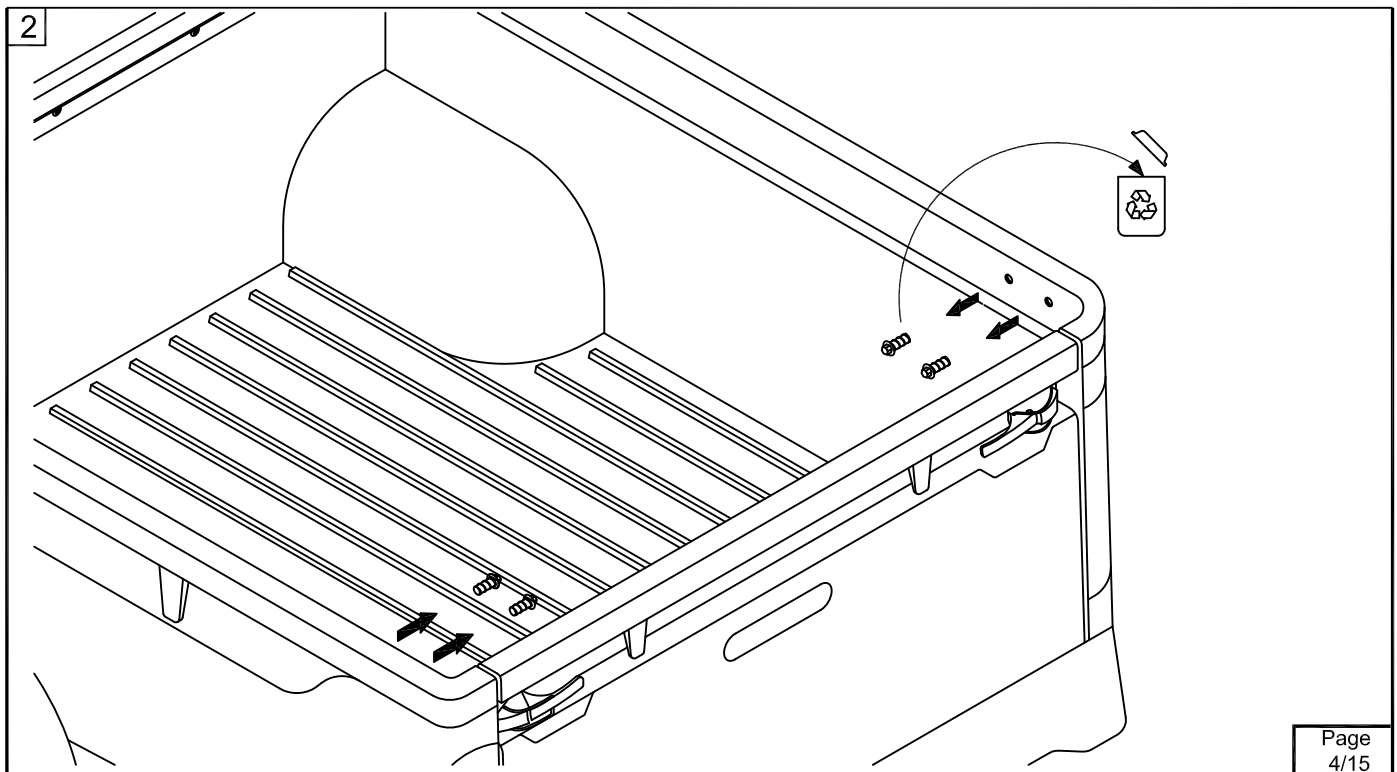
<b>W</b> M8 x 40mm Black Bolt  x4	<b>X</b> M8 Fender Washer  x4	<b>Y</b> 5/16" x 5/8" Shim  x4	<b>Z</b> M6 Hex Key  x1
--	--	---	--

**TOOLS NEEDED**

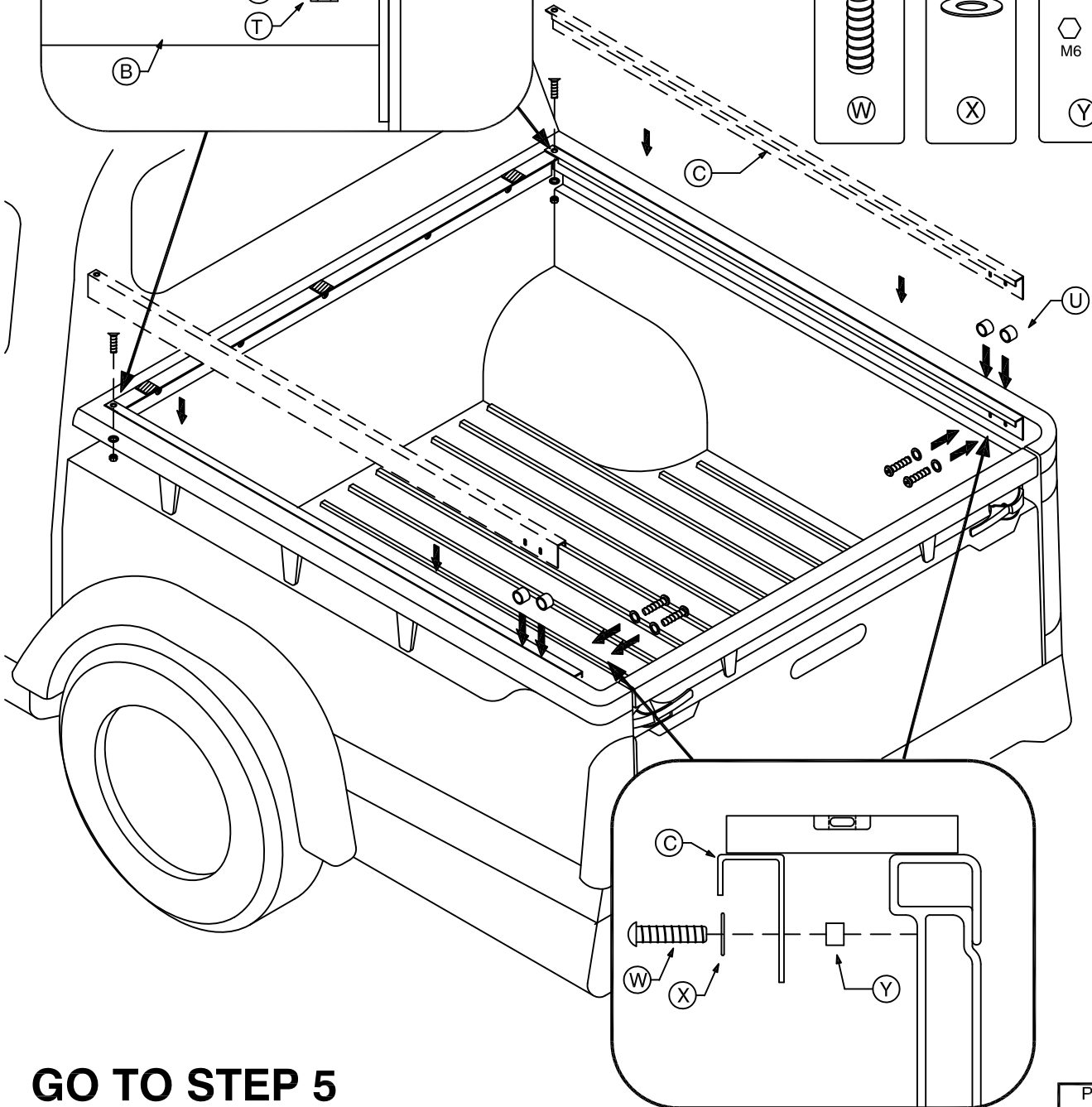
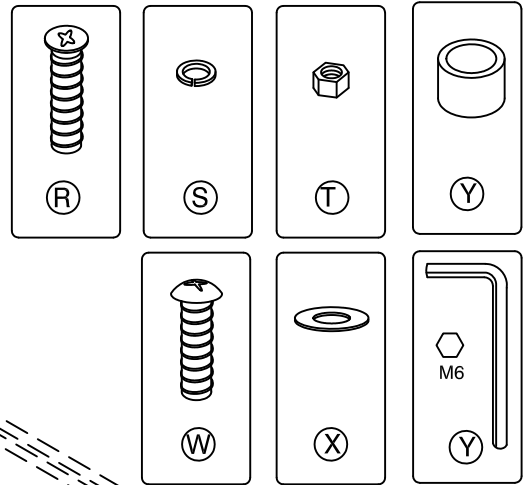
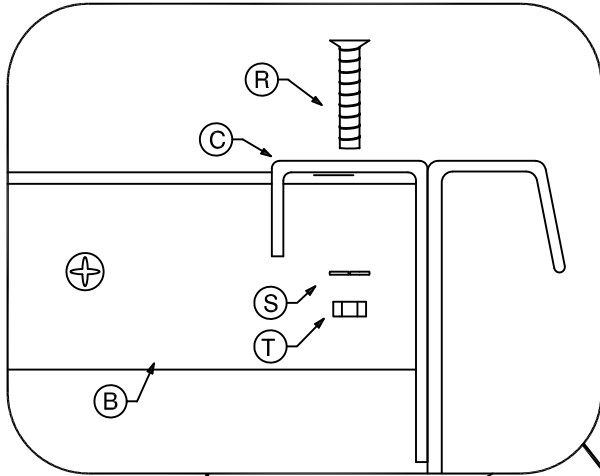
 13mm	 PH 2	 PH 3		 Vinyl Protector
---	---	---	--	--



**"A" - DECK (SMOOTH SIDE) STEPS 4 - 22**  
**"J" - DECK (HOOK SIDE) STEP 2, 3, 5 - 22**

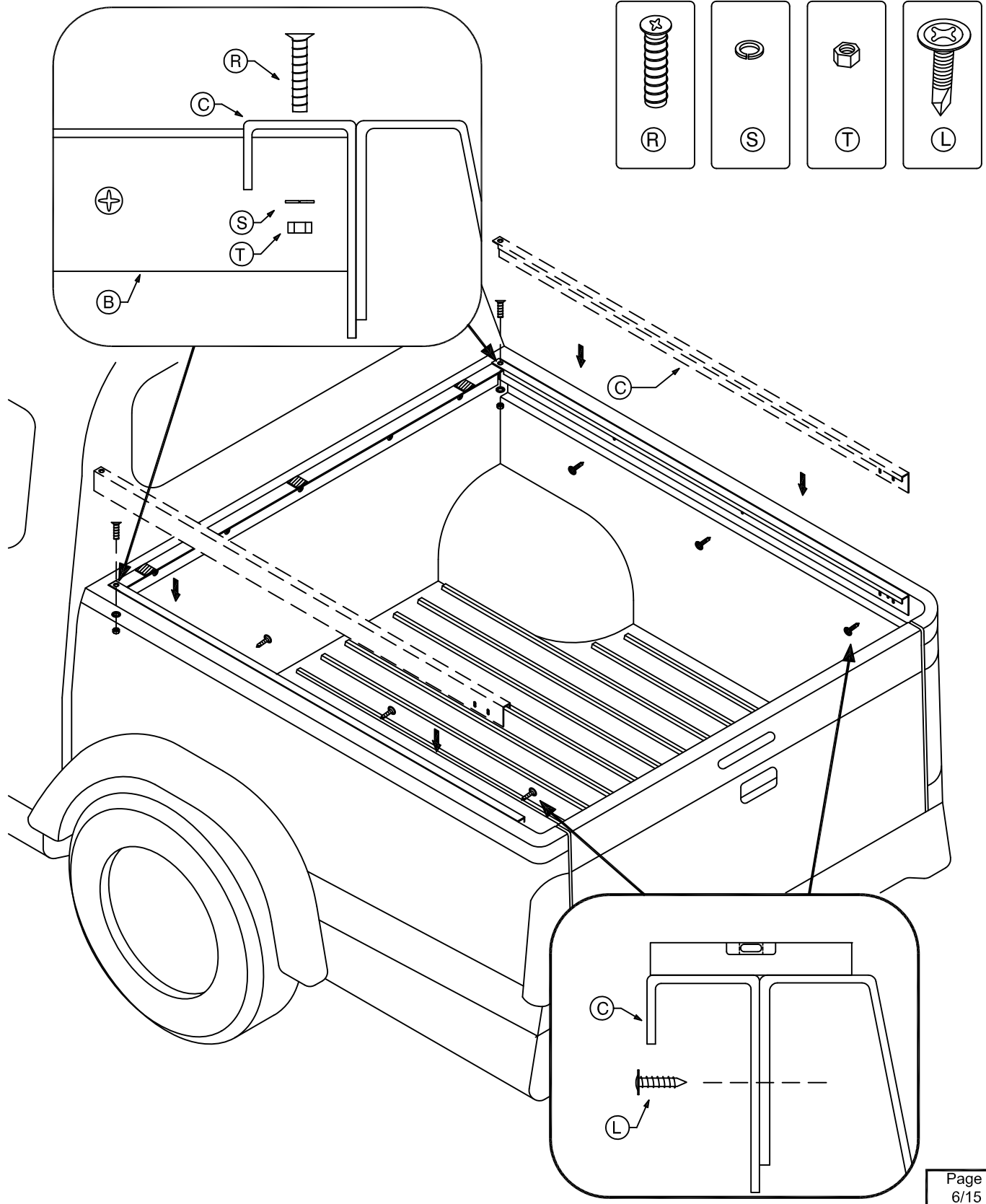


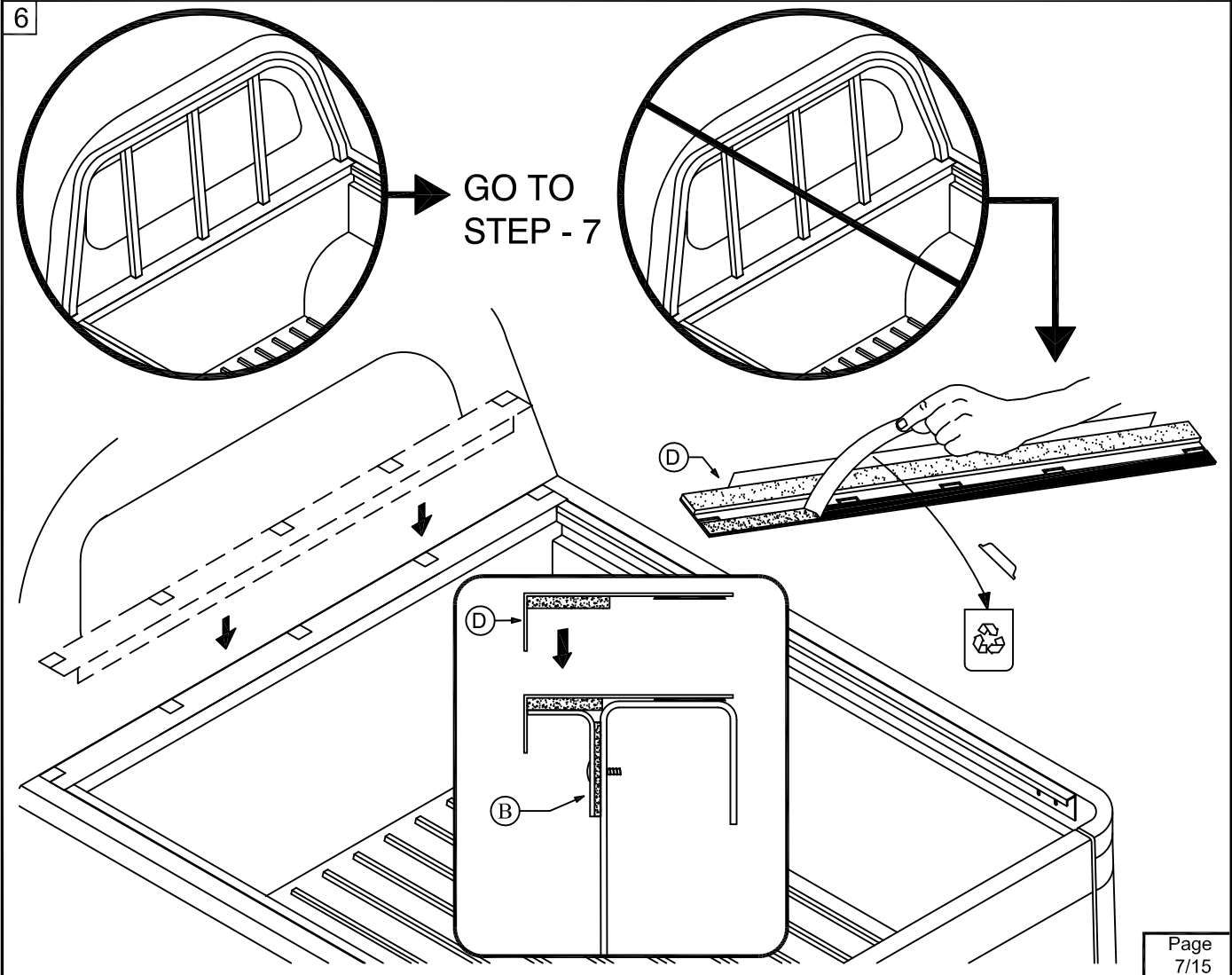
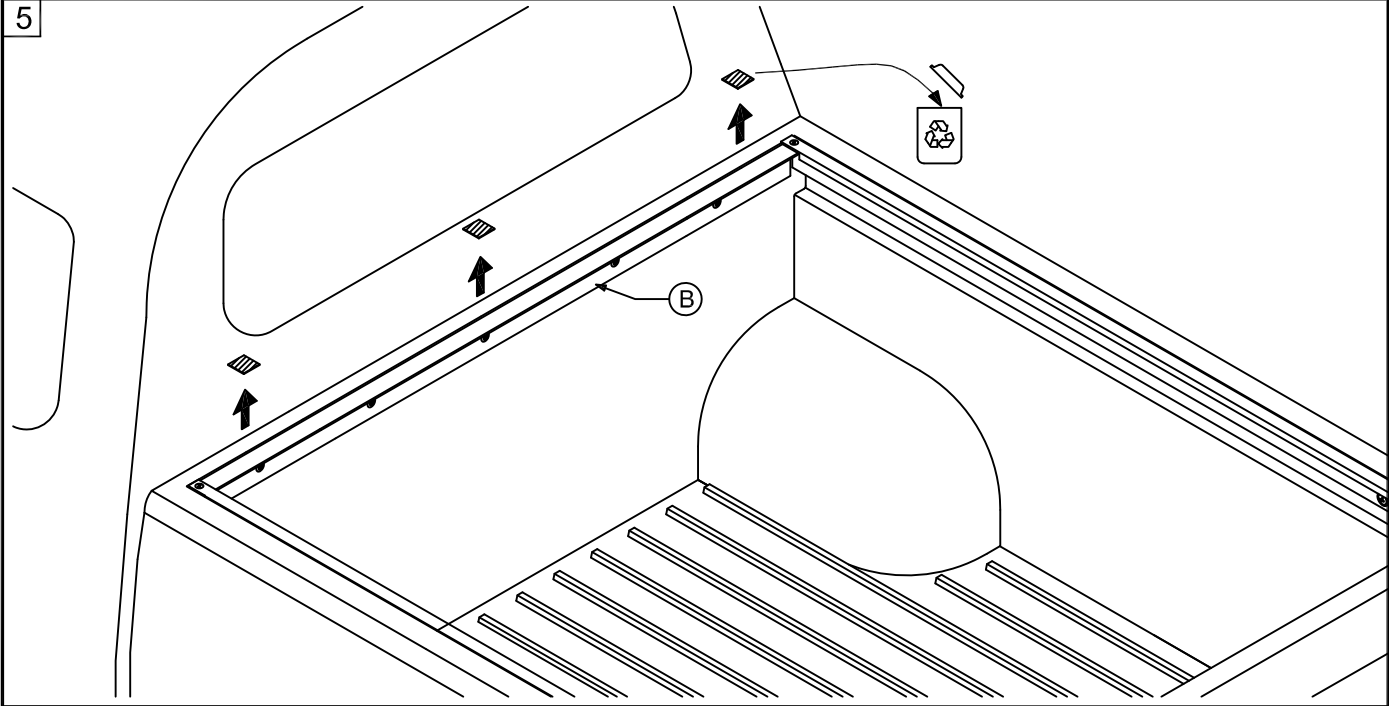
# "J"-DECK (HOOK SIDE) APPLICATION



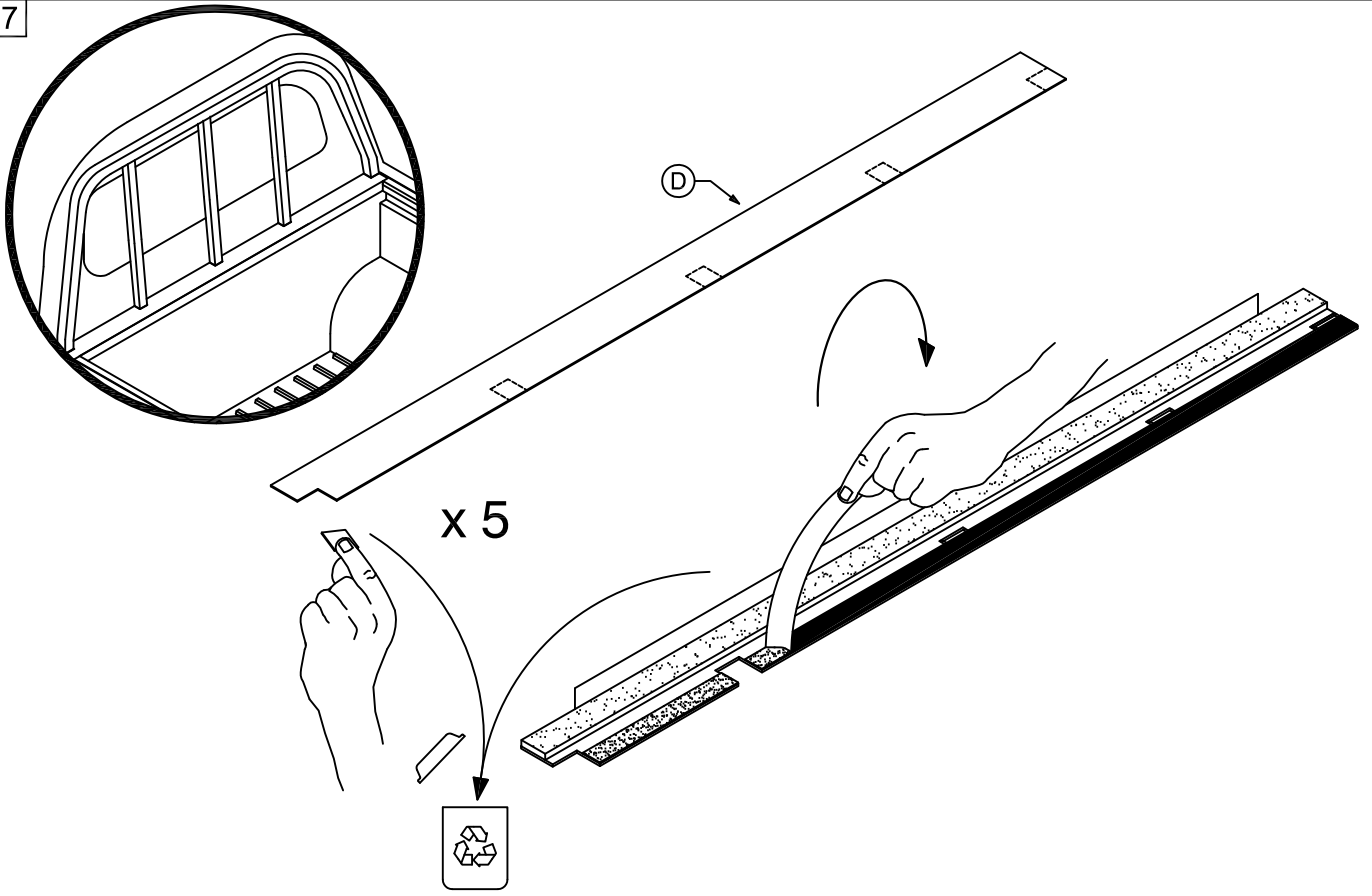
**GO TO STEP 5**

# "A"-DECK (SMOOTH SIDE) APPLICATION

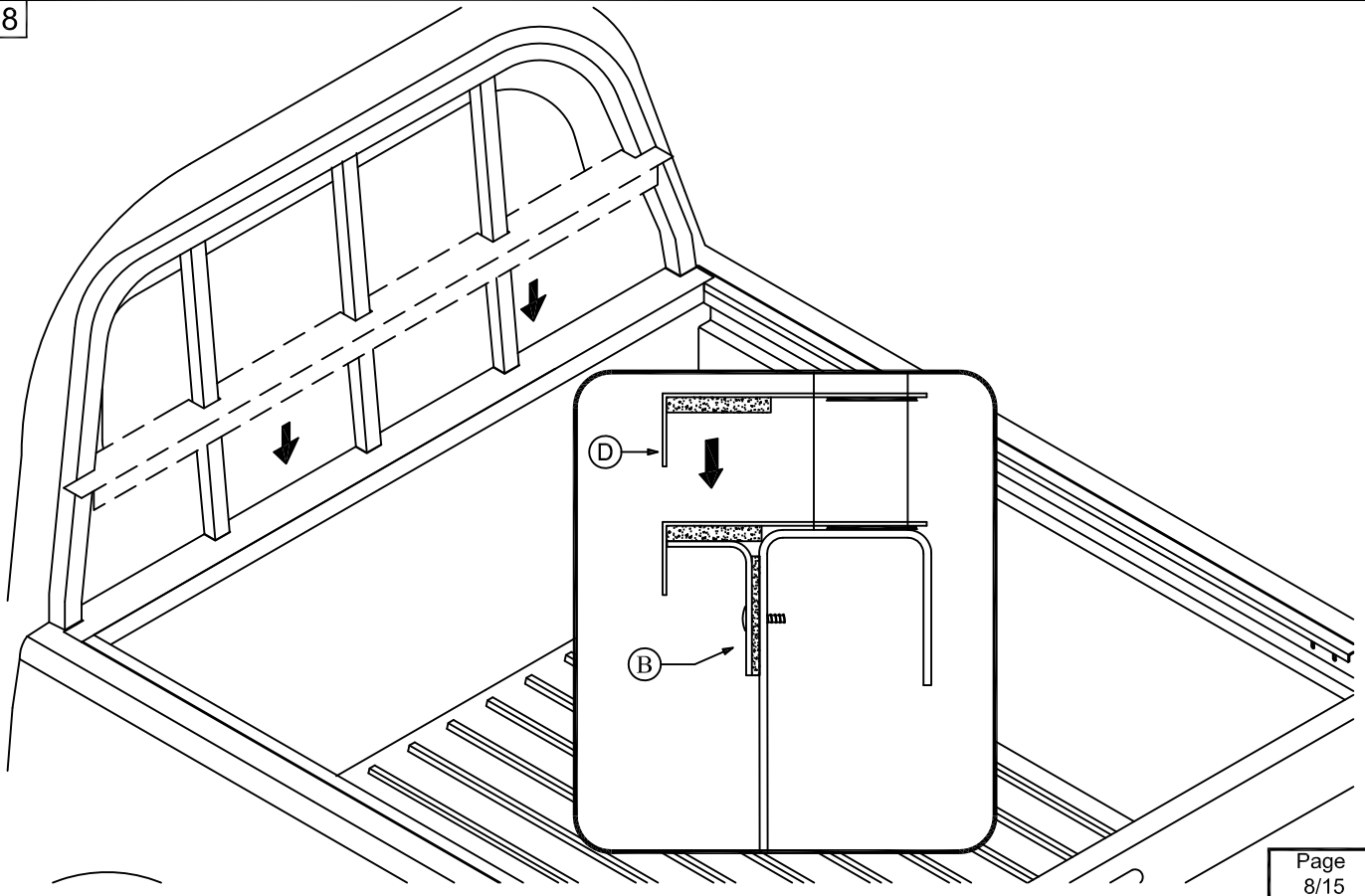




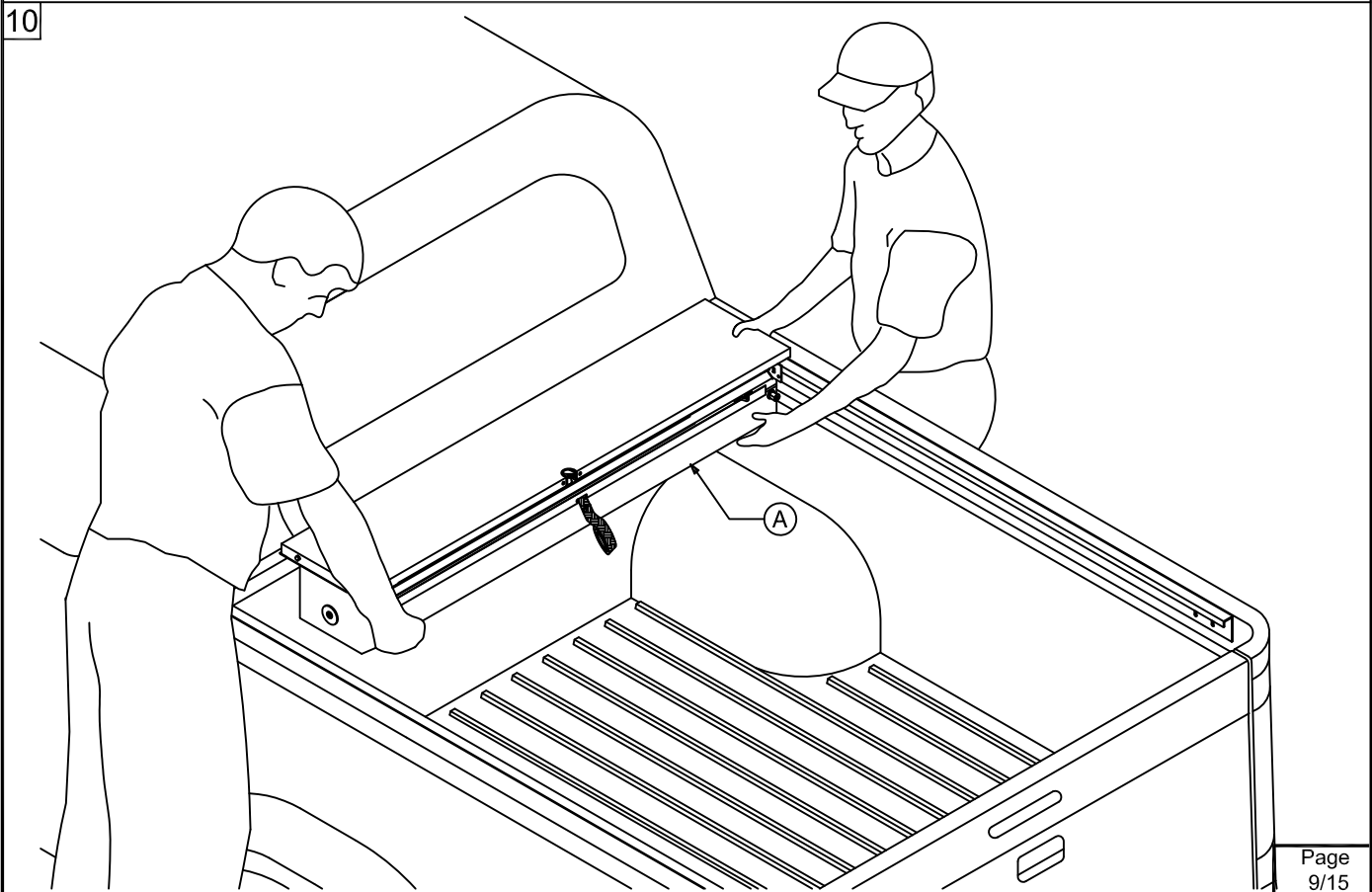
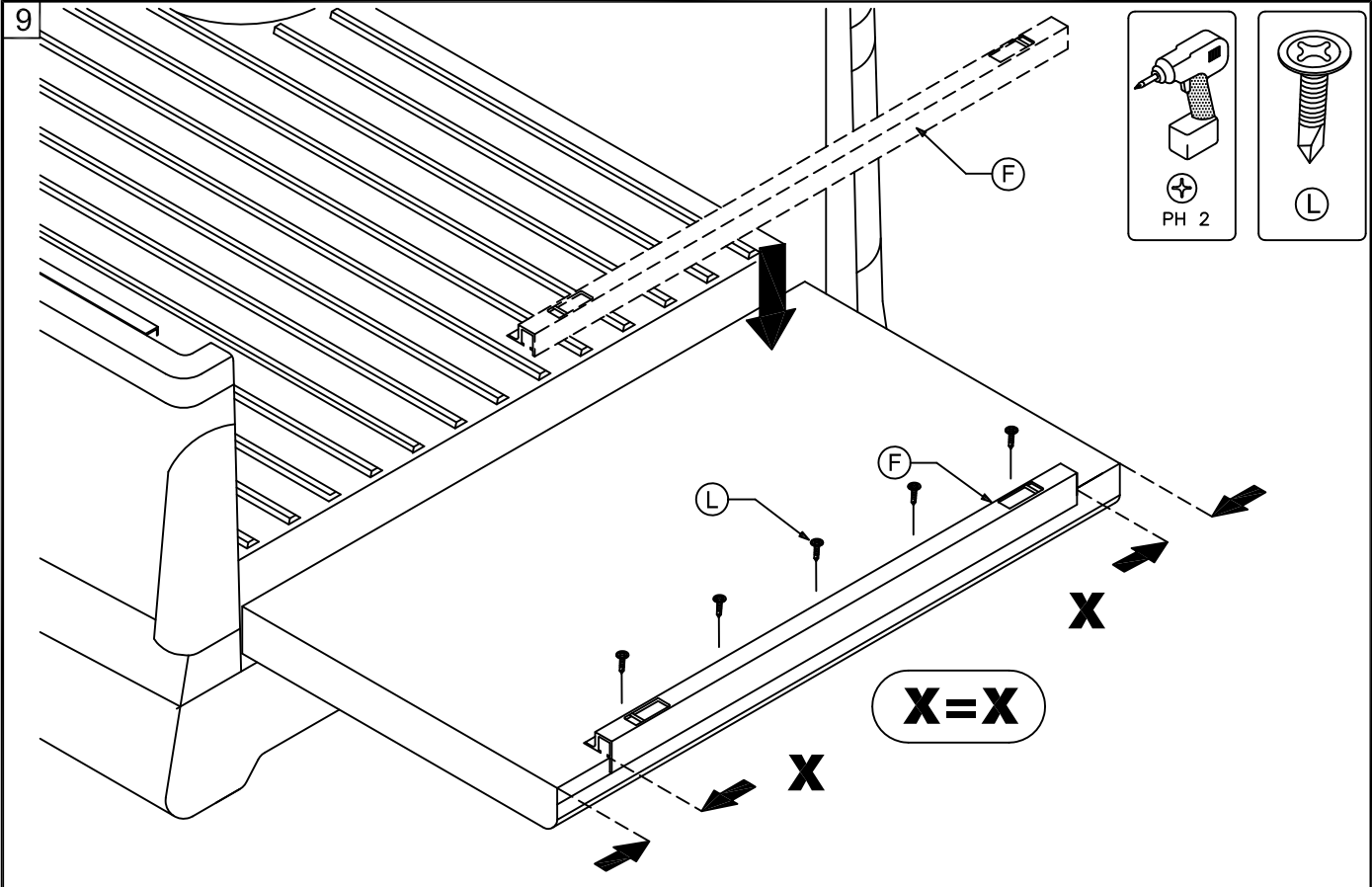
7

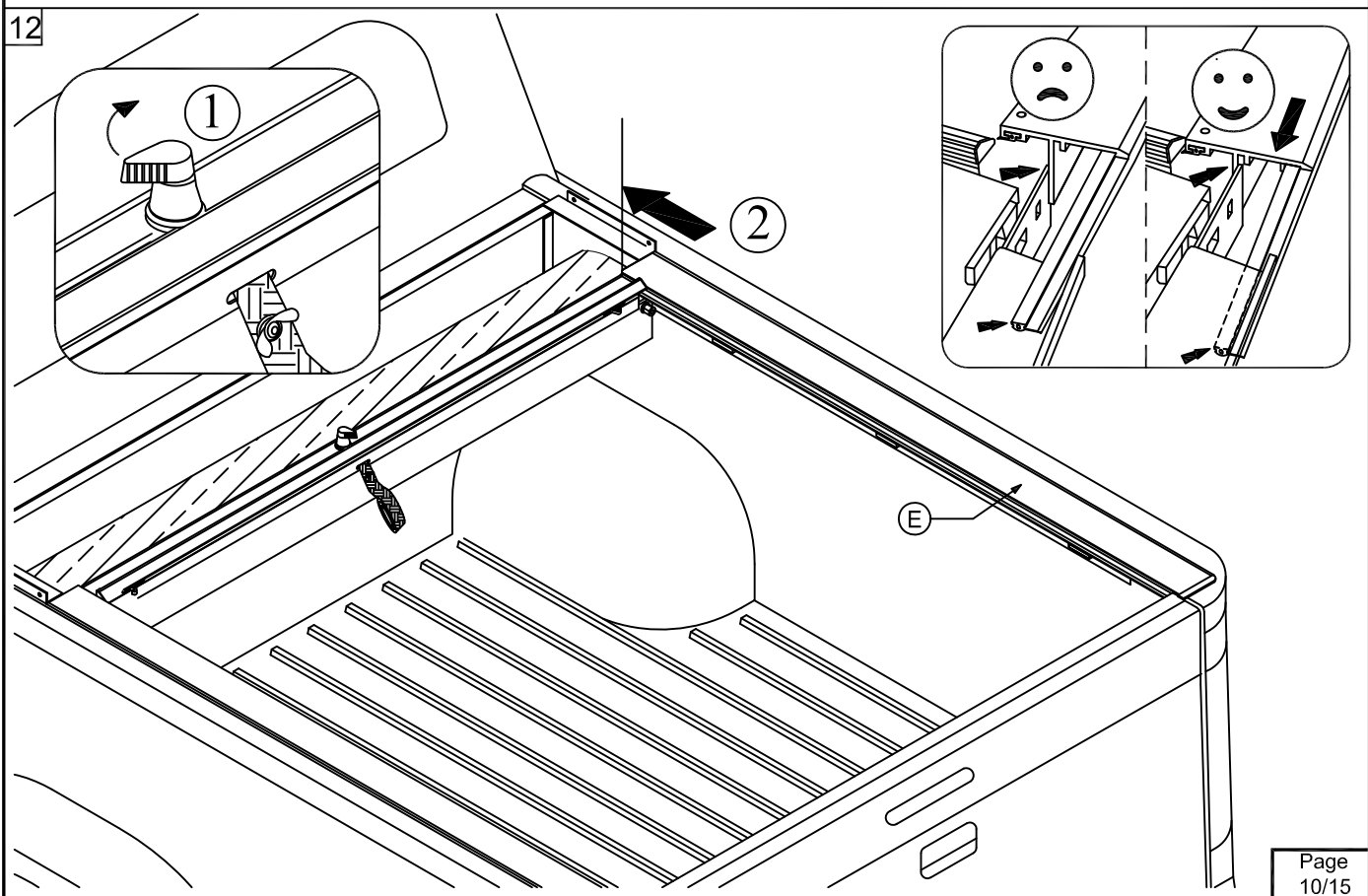
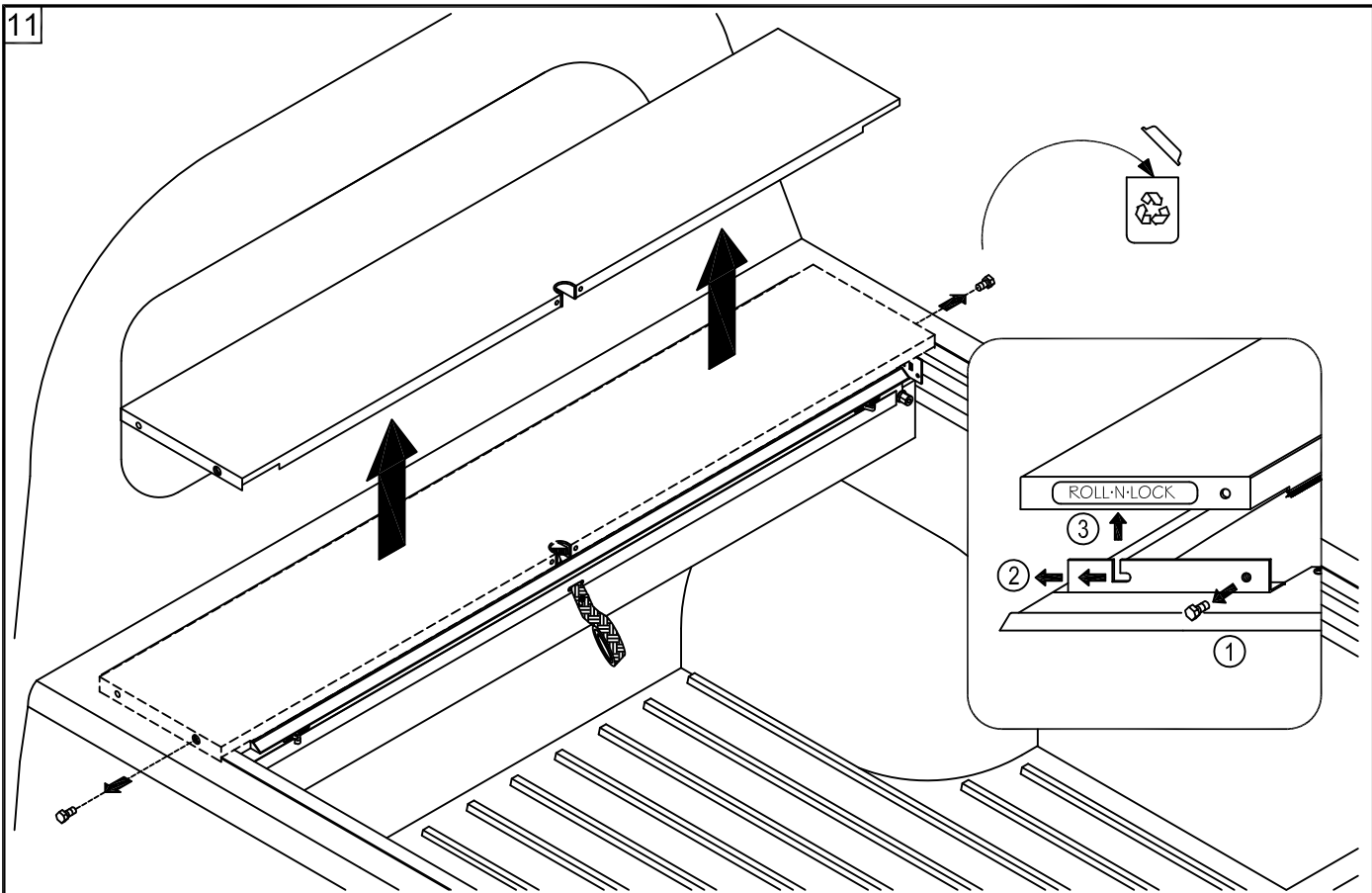


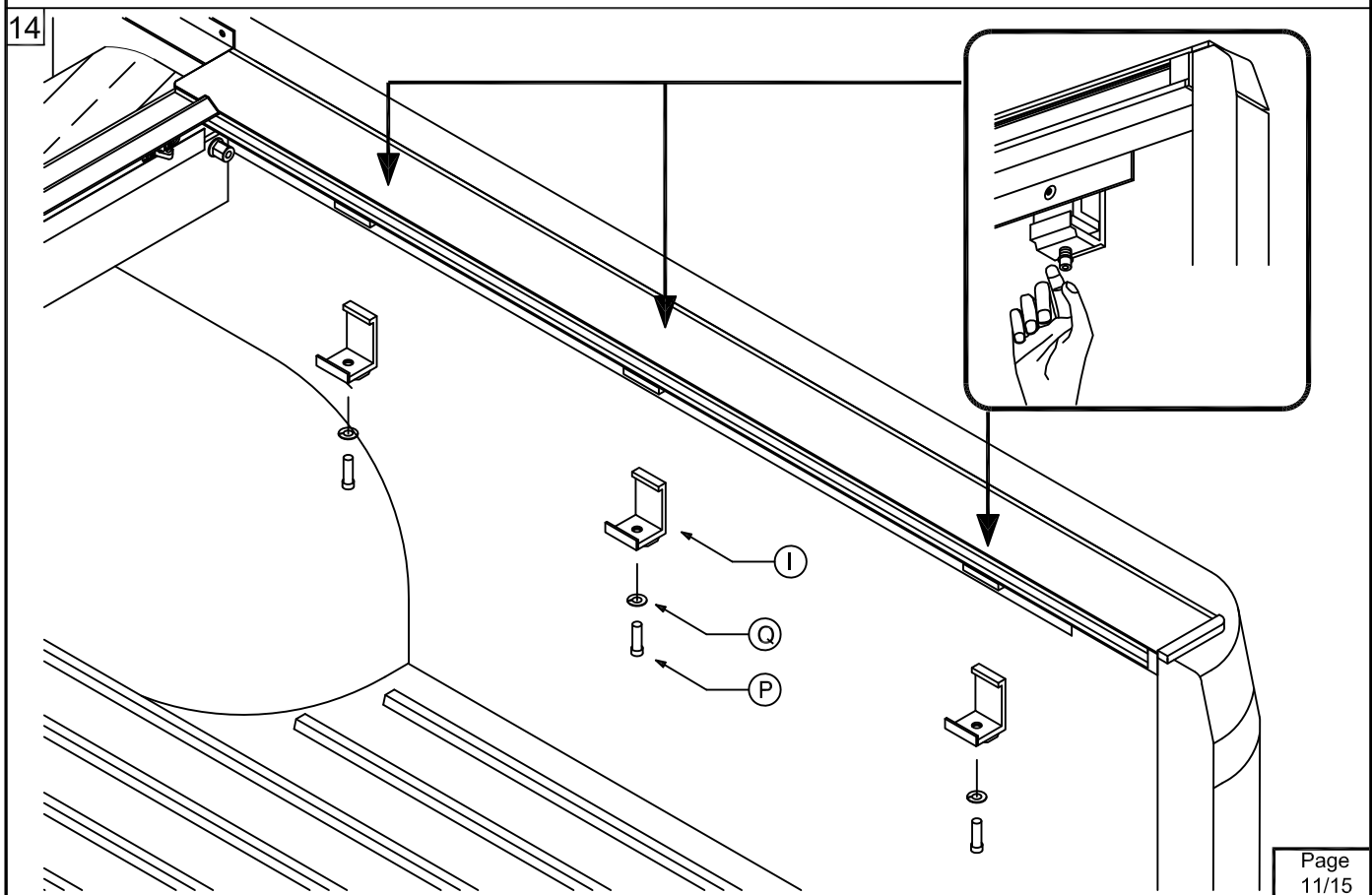
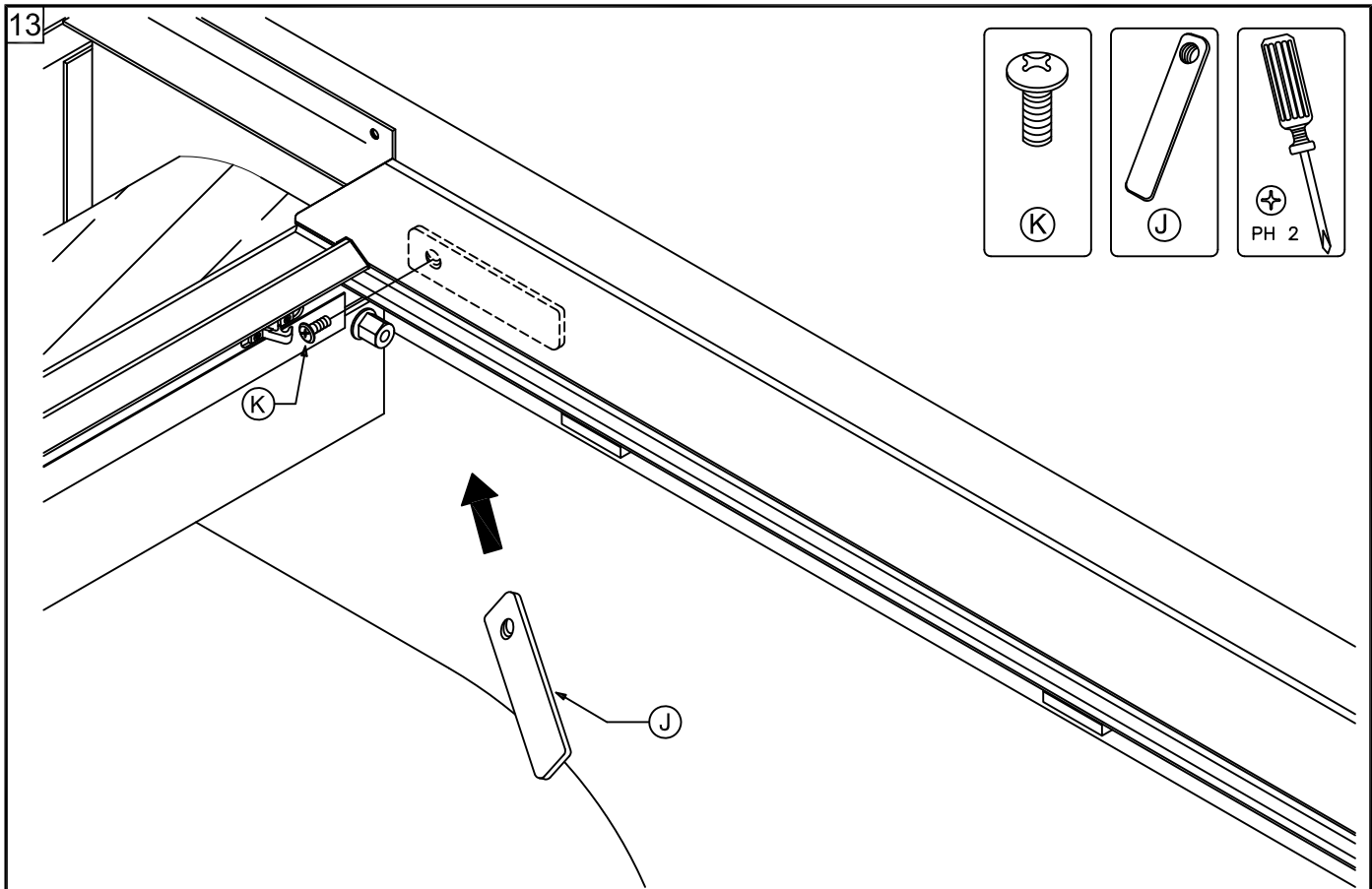
8

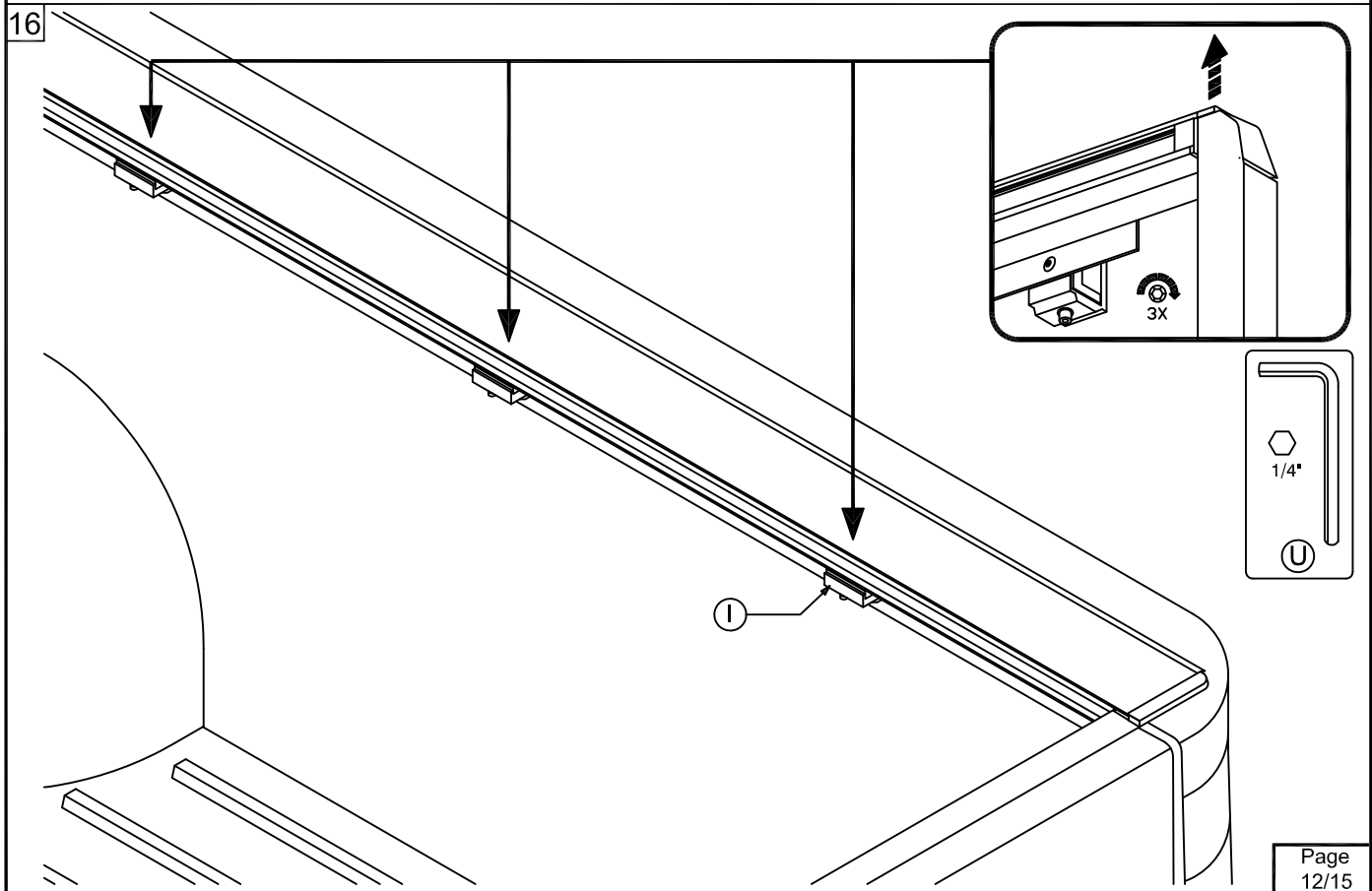
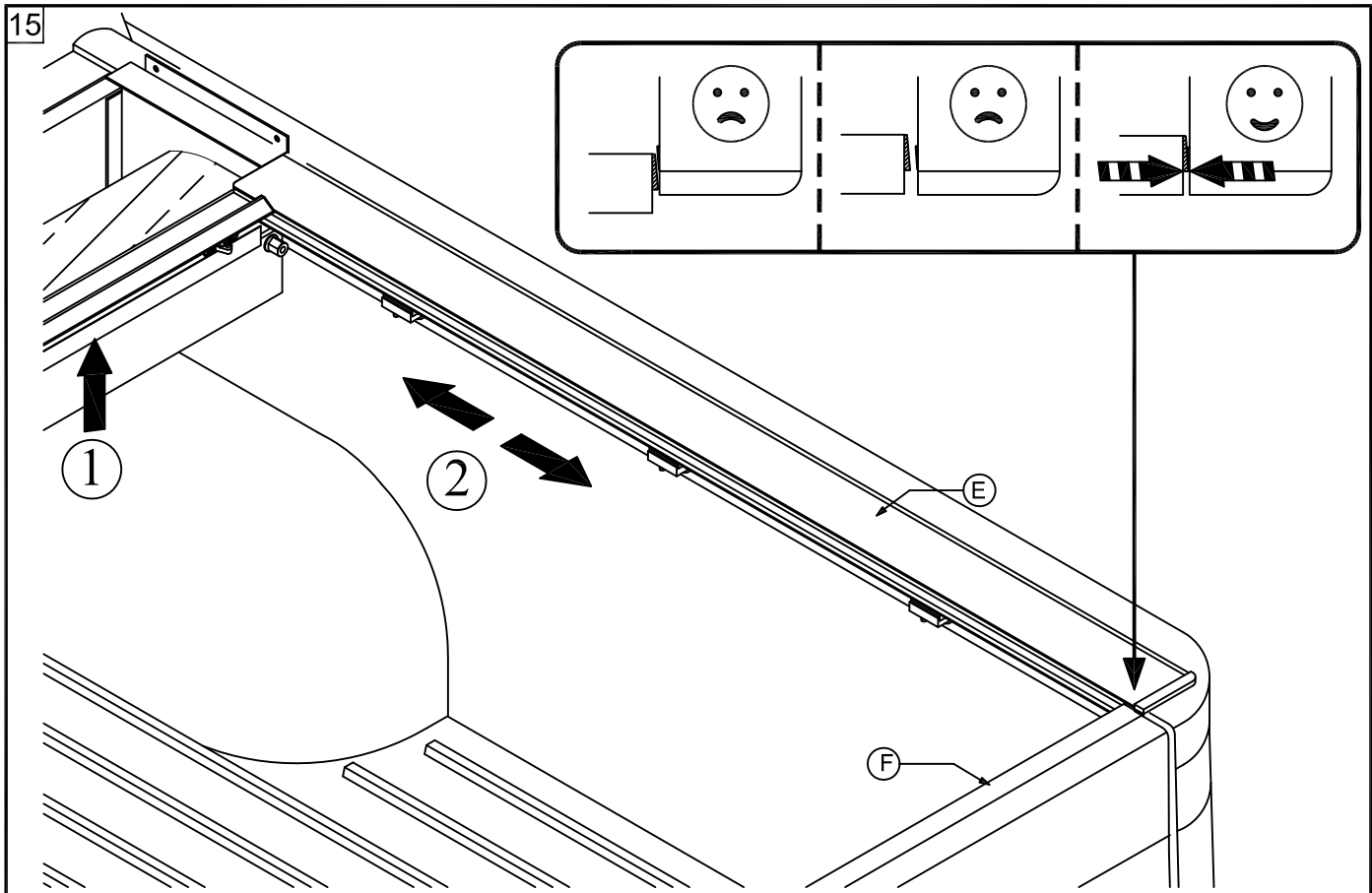




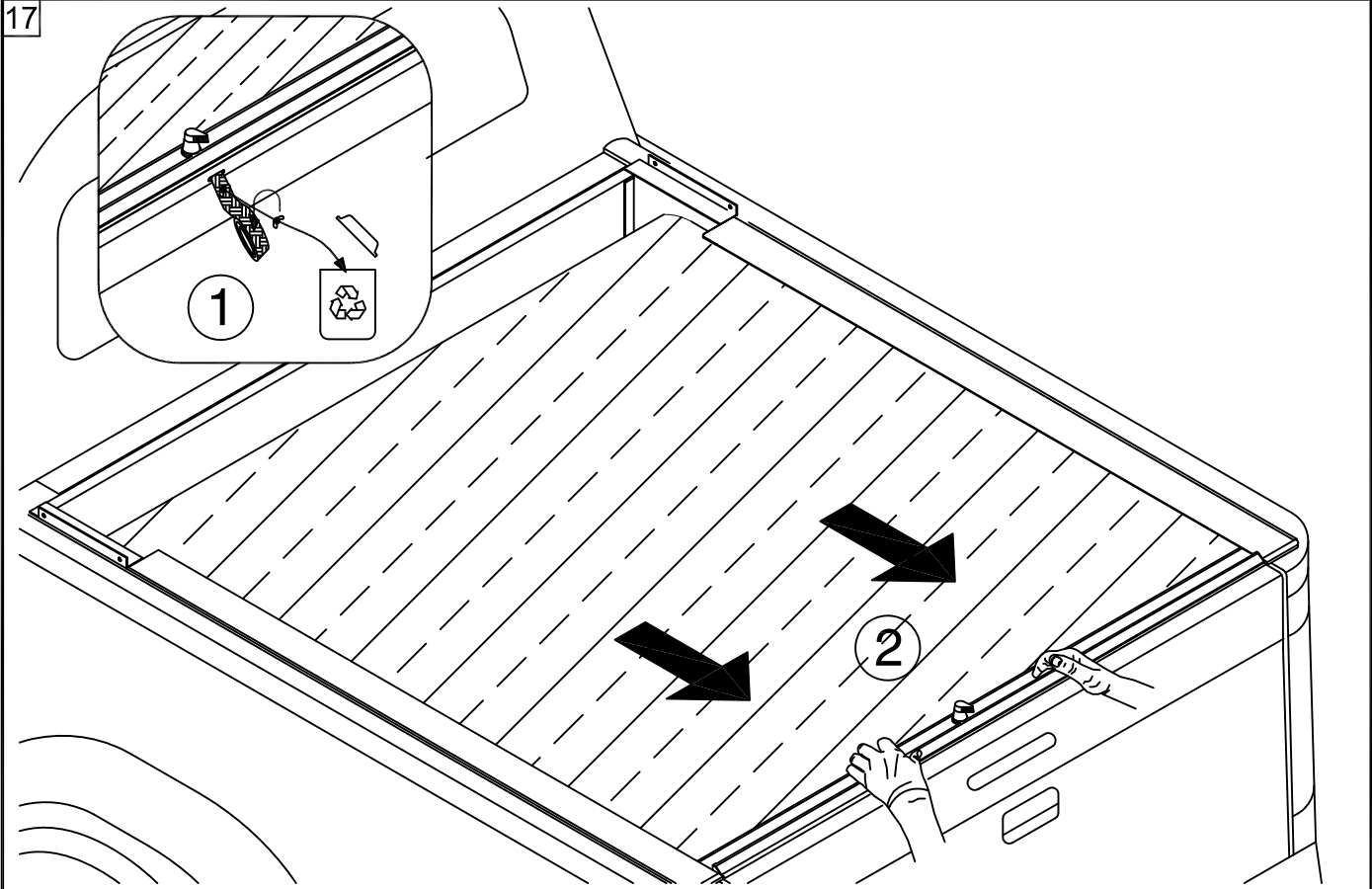




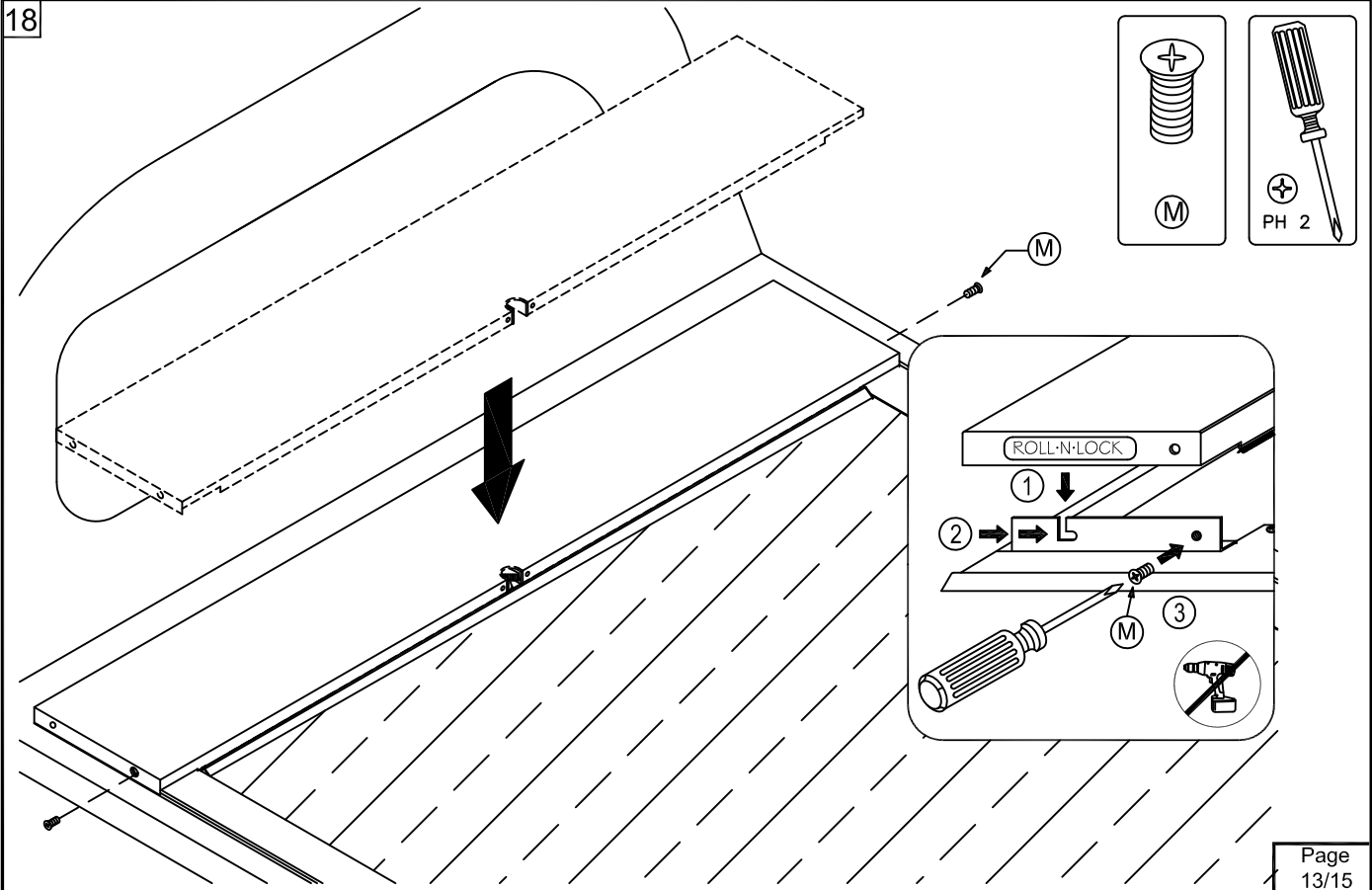




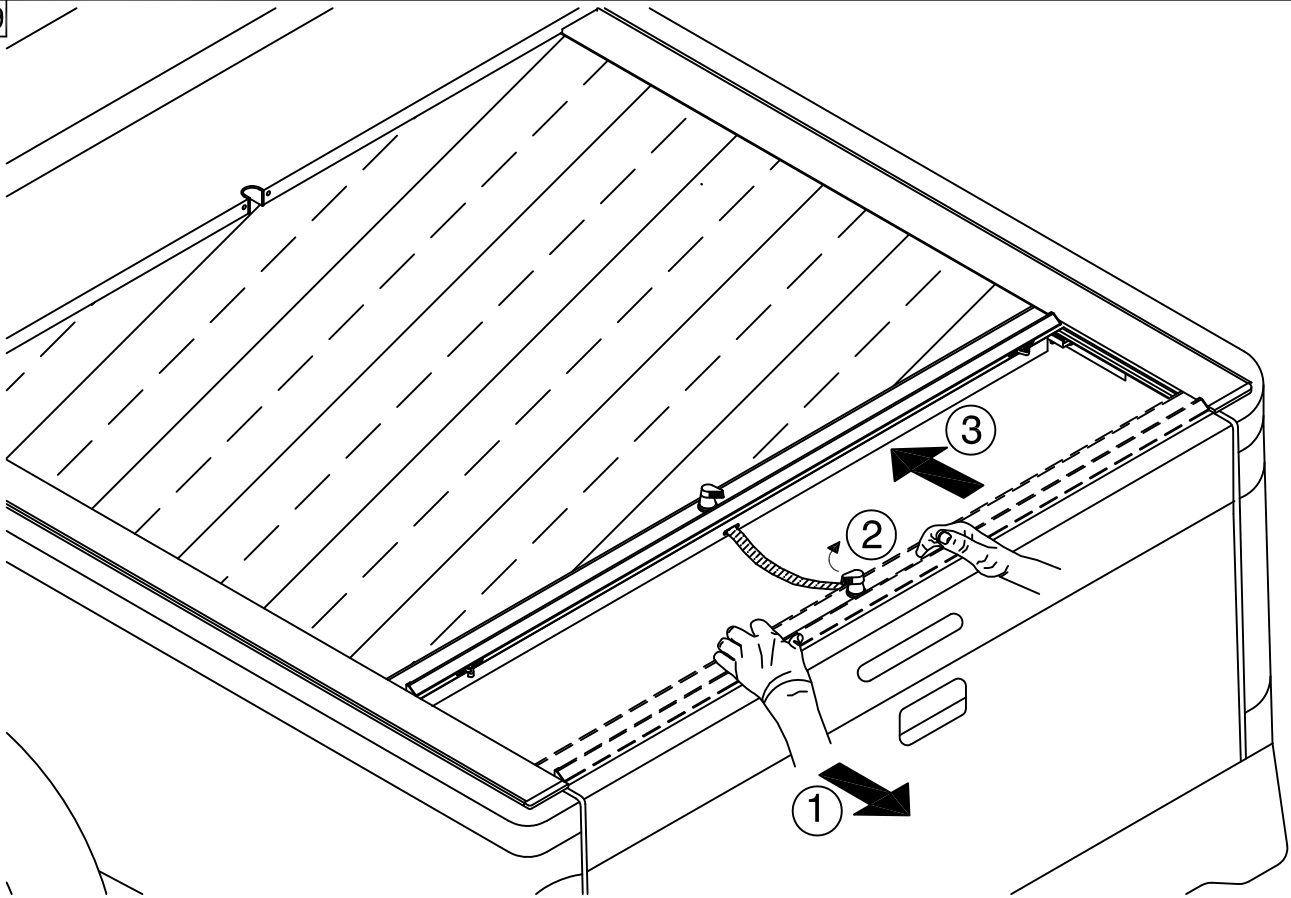
17



18



19



20

