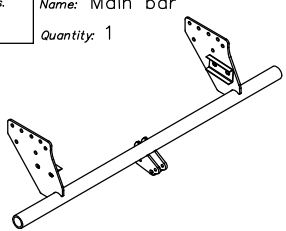
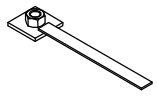

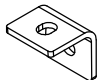

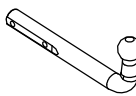
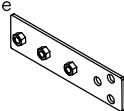

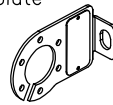
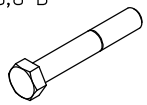
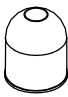
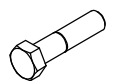
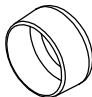


Towbar accessories:

Pos. 1	Name: Main bar Quantity: 1	Pos. 4	Name: Jib with the nut Quantity: 2	Pos. 9	Name: Nut 8 B Quantity: 8 Dim.: M12
					
		Pos. 5	Name: Angle bar Quantity: 2	Pos. 10	Name: Plain washer Quantity: 20 Dim.: Ø 13 mm
					
Pos. 2	Name: Tow ball Quantity: 1	Pos. 6	Name: Fish-plate Quantity: 2	Pos. 11	Name: Spring washer Quantity: 16 Dim.: Ø 12,2 mm
					
Pos. 3	Name: Socket plate Quantity: 1	Pos. 7	Name: Bolt 8,8 B Quantity: 2 Dim.: M12x75mm	Pos. 12	Name: Ball cover Quantity: 1
					
		Pos. 8	Name: Bolt 8,8 B Quantity: 14 Dim.: M12x40mm	Pos. 13	Name: Pipe closer Quantity: 2
					



PPUH AUTO-HAK Sp.J.

Produkcja Zaczepów Kulowych
Henryk & Zbigniew Nejman
76-200 SŁUPSK ul. Słoneczna 16K
tel/fax (059) 8-414-414; 8-414-413
E-mail: office@autohak.com.pl
www.autohak.com.pl

Towing hitch (without electrical set)

Class: **A50-X** Cat. no. **Z36**

Designed for:

Manufacturer: **mitsubishi**

Model: **L200 short version**

Type: **single cab, double cab and club cab**

produced since 2006

Technical data:

D-value: 14,0 kN

maximum trailer weight: **2700 kg**

maximum vertical cup load: **115 kg**

Approval number according to Directive 94/20/EC: e20*94/20*0139*00

Foreword

This towbar is designed according to rules of safety traffic regulations. The towing hitch is a safety component and can be install only by qualified personnel. Any alteration or conversion of the towing hitch is prohibited and would lead to cancellation of design certification. Remove insulating compound and underseal from vehicle (if present) in the area of the matting surfaces of the towing hitch.

The vehicle manufacturer's specifications regarding trailer load and max. vertical cup load are decisive for driving whereat values for the towing hitch cannot be exceeded.

D-value formula:

$$\frac{\text{Max trailer weight [kg]} \times \text{Max vehicle weight [kg]}}{\text{Max trailer weight [kg]} + \text{Max vehicle weight [kg]}} \times \frac{9,81}{1000} = D \text{ [kN]}$$

FITTING INSTRUCTION

Clamp mark in acc. with		Cables joining
ISO	PN	
1	L	Left directional lights
2	+	Rear fog lights
3	31	Ground
4	R	Right directional lights
5	58R	Right side parking lights
6	54	Stoptlights
7	58L	Left side parking lights

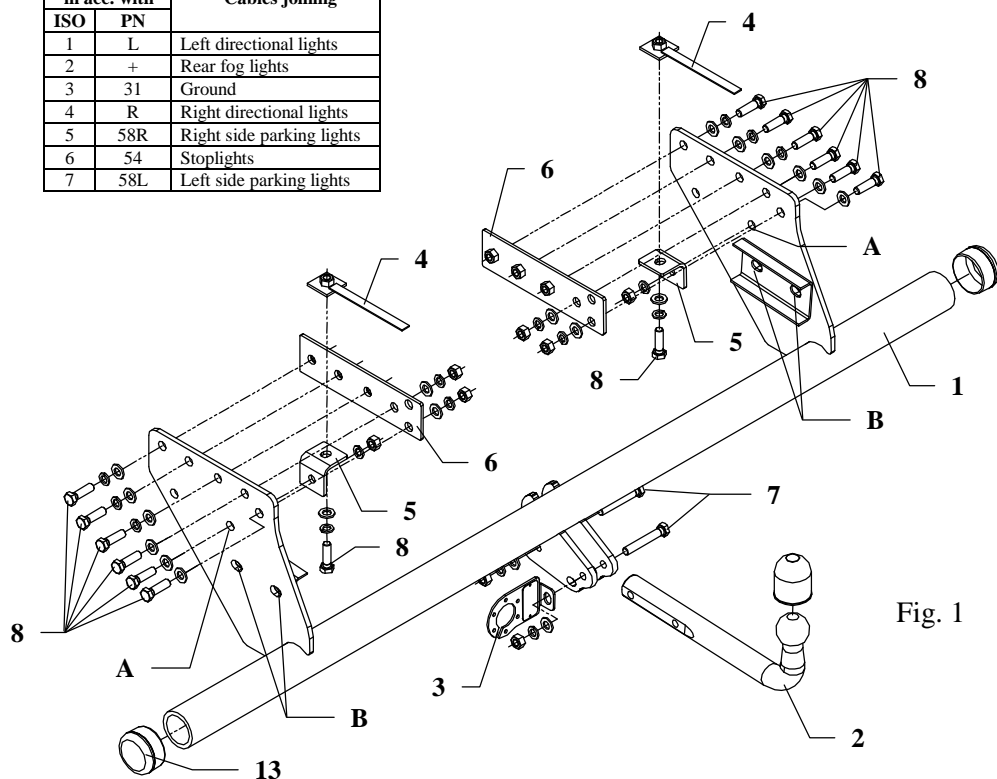


Fig. 1

This towbar is designed to assembly in following cars:
MITSUBISHI L200 short version, single cab, double cab and club cab,
 produced since 2006, catalogue no. **Z36** and is prepared to tow trailers max
 total weight **2700 kg** and max vertical load **115 kg**.

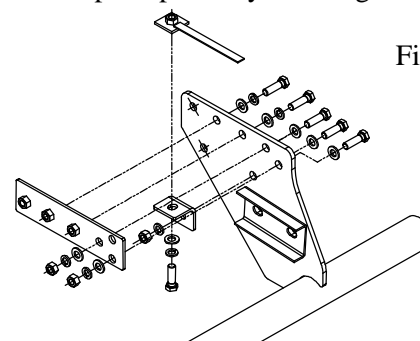
From manufacturer

Thank you for buying our product. Their reliability has been confirmed in many tests. Reliability of towbar depends also on correct assembly and right operation. For this reasons we kindly ask to read carefully this instruction and apply to hints.

The towbar should be install in points described by a car producer.

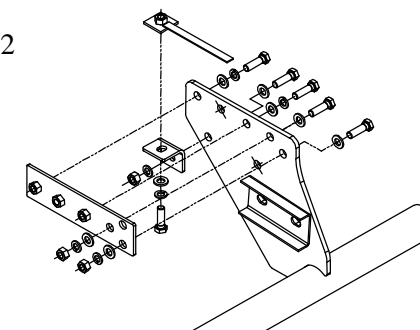
The instruction of the assembly

1. Disassemble the cover of the pipe bumper. To make this unscrew per two bottom bolts from support of pipe bumper.
2. Unscrew rest of bolts and disassemble the pipe bumper, not used any more.
3. In place of disassembled pipe bumper put main bar of the towbar (pos. 1) and fix with the chassis frame using bolts M12x40mm (pos. 8). Through holes (pos. A) fix angle element (pos. 5) by bolt M12x40mm (pos. 8). Next the angle element fix to the chassis member using bolt M12x40mm (pos. 8) and nut on the jib (pos. 4). Nuts on the jibs put inside chassis members.
- NOTE!** Different versions have different way of installation of main bar. Angle element too (pos. 5). Differences show figure 2.
4. Fix tow-ball (pos. 2) with socket plate (pos. 3) using bolts M12x75mm (pos. 7) from accessories.
5. Tighten all bolts according to the torque shown in the table.
6. Through holes (pos. B) fix disassembled cover of the pipe bumper using original bolts.
7. Connect electric wires of 7-poles socket according to the instruction of the car. (Recommend to make at authorized service station).
8. Complete paint layer damaged during installation.



Single and double cab

Fig. 2



Club cab

Torque settings for nuts and bolts (8,8):

M6 - 11 Nm	M8 - 25 Nm	M10 - 50 Nm
M12 - 87 Nm	M14 - 138 Nm	M16 - 210 Nm

NOTE

After install the towbar you should get adequate note in registration book (at authorised service station).The car should be equipped with:

- Indicators
- Tow mirrors

After 1000km of exploitation check all bolts and nuts. The ball of towbar must be always kept clear and conserve with a grease.