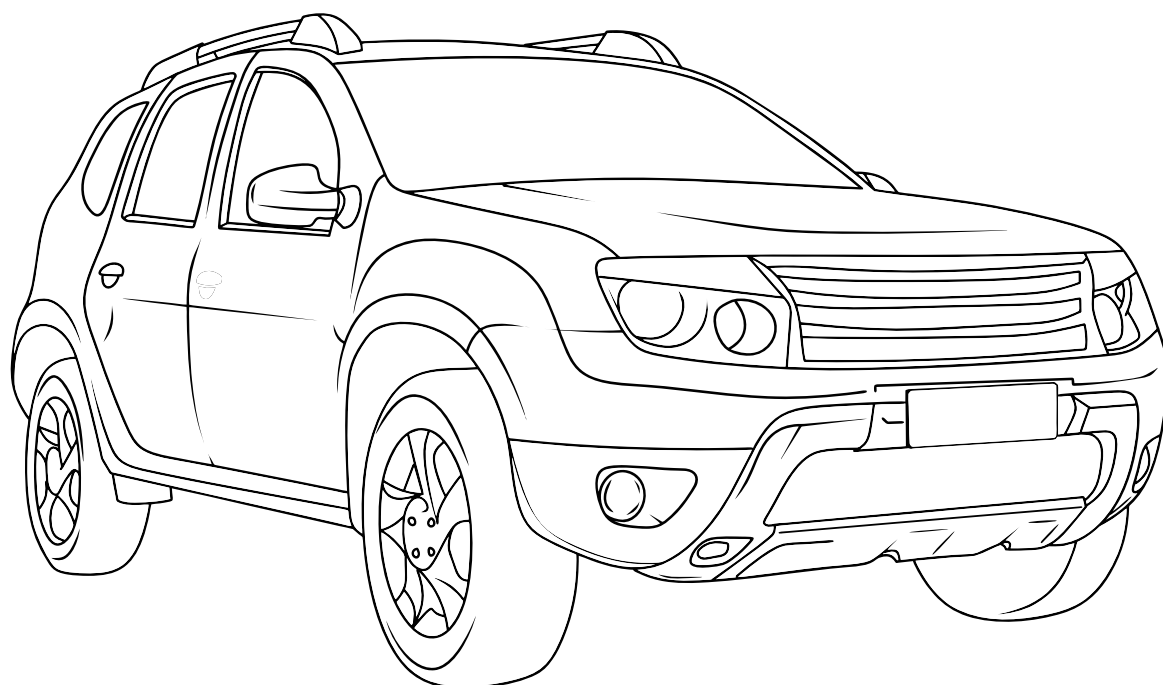


W 71 105 010



7-
(9200-76)

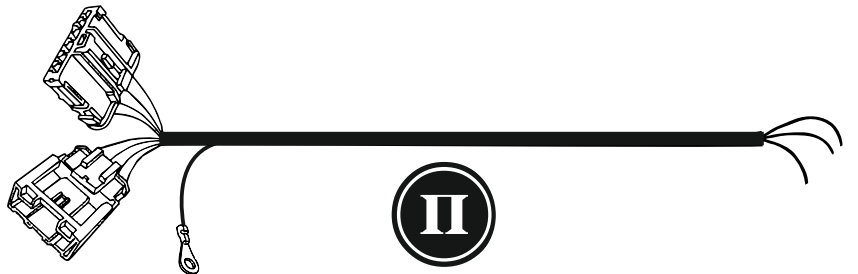
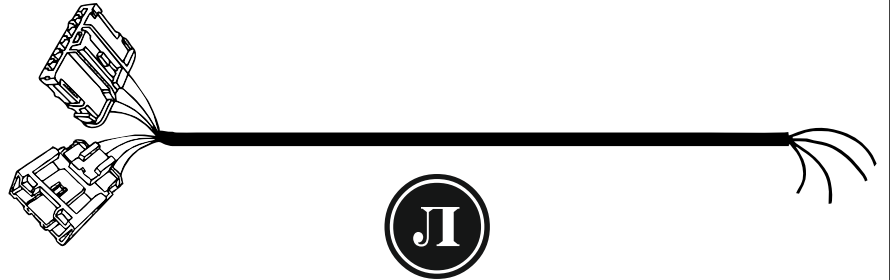
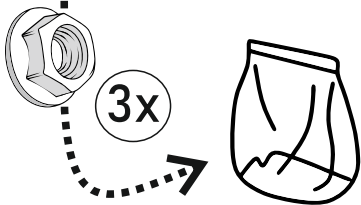
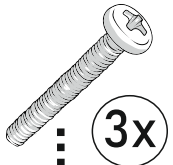
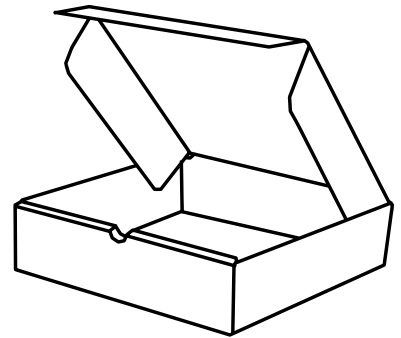
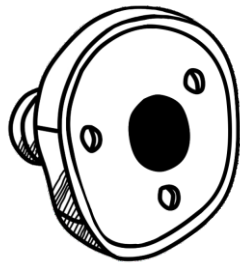
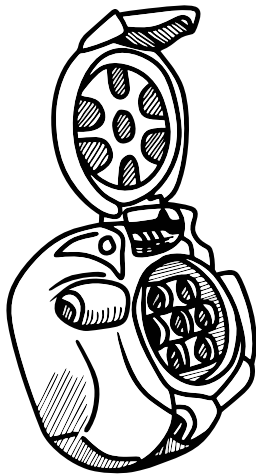


Renault Duster 2011-2015

- 1.
- 2.

3.

!

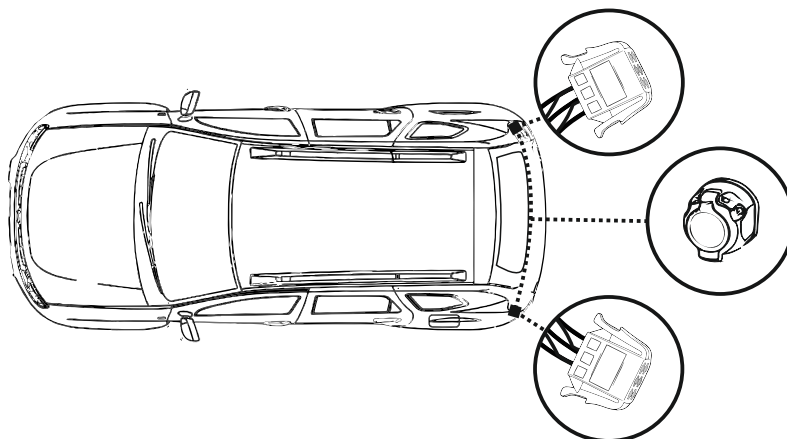
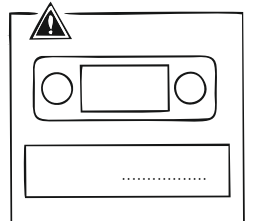
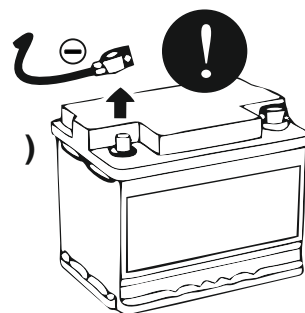


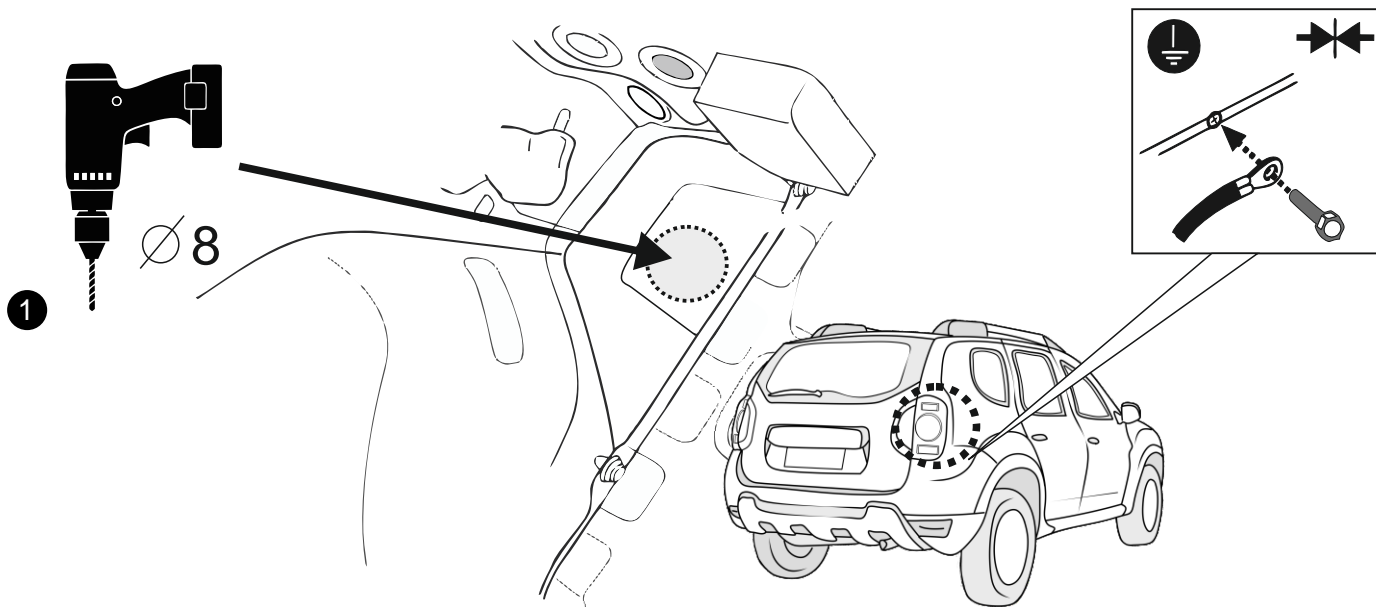
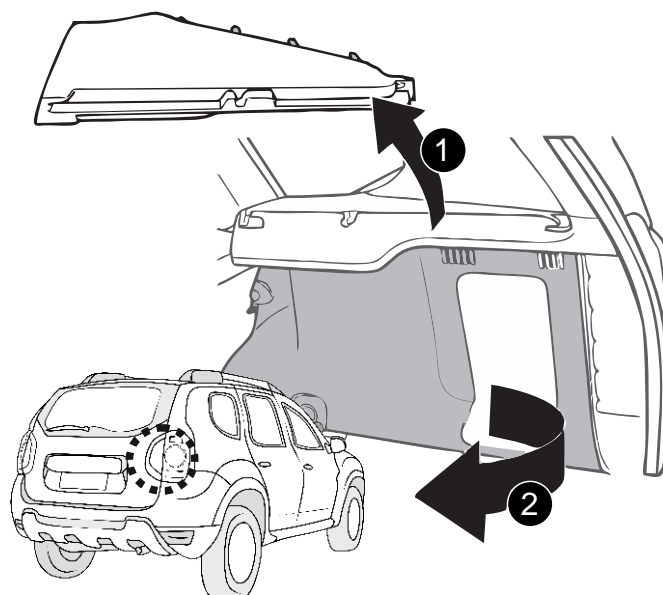
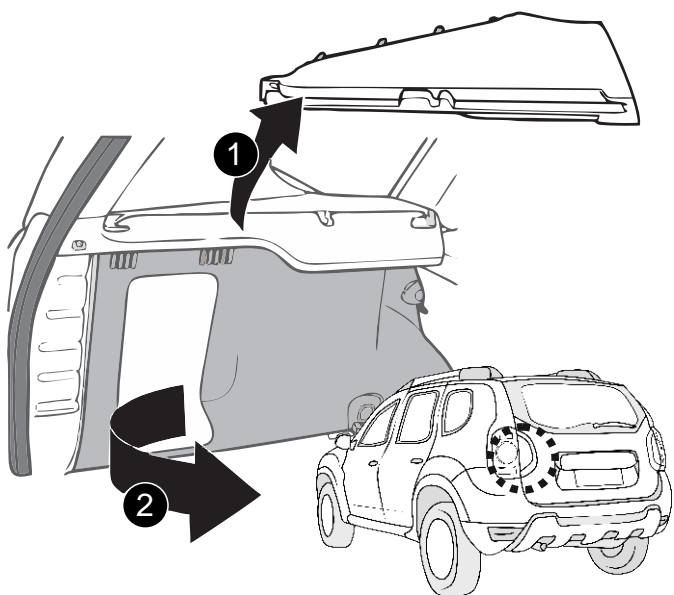
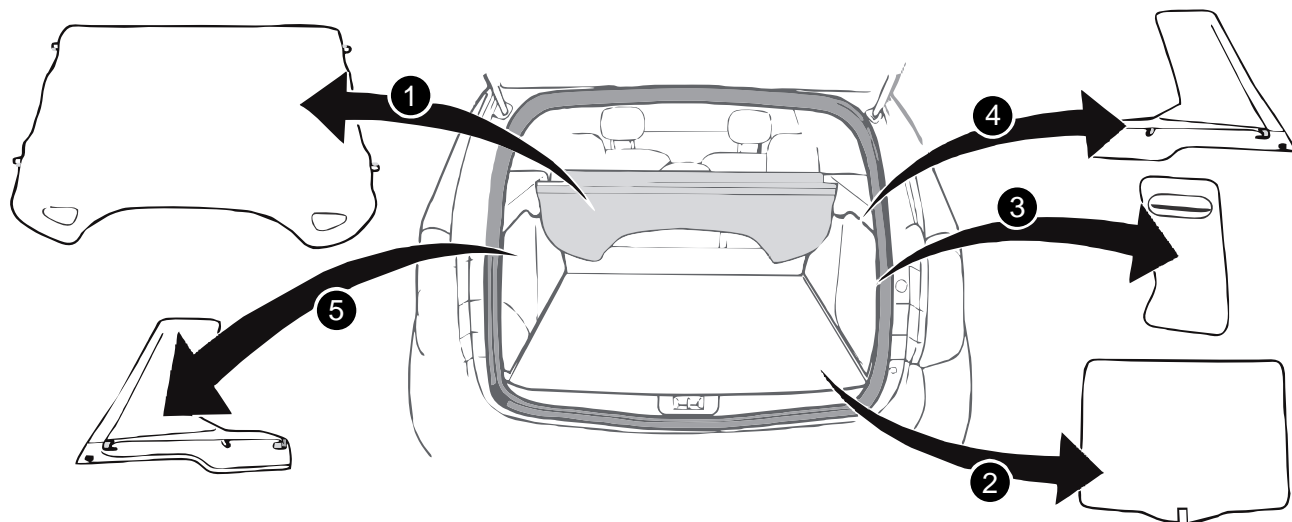
!

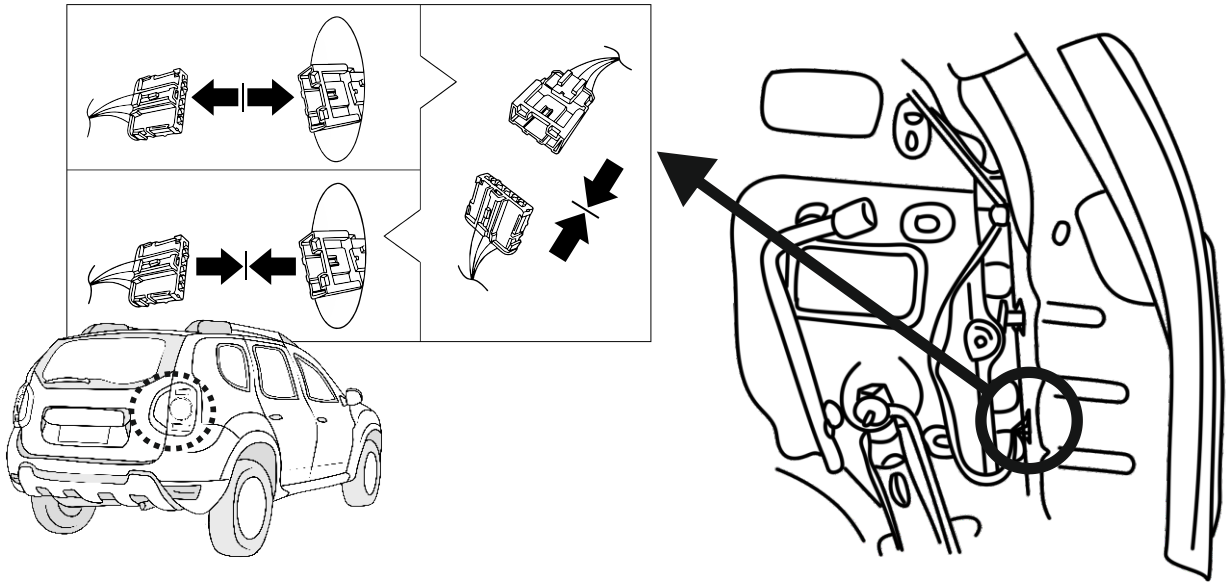
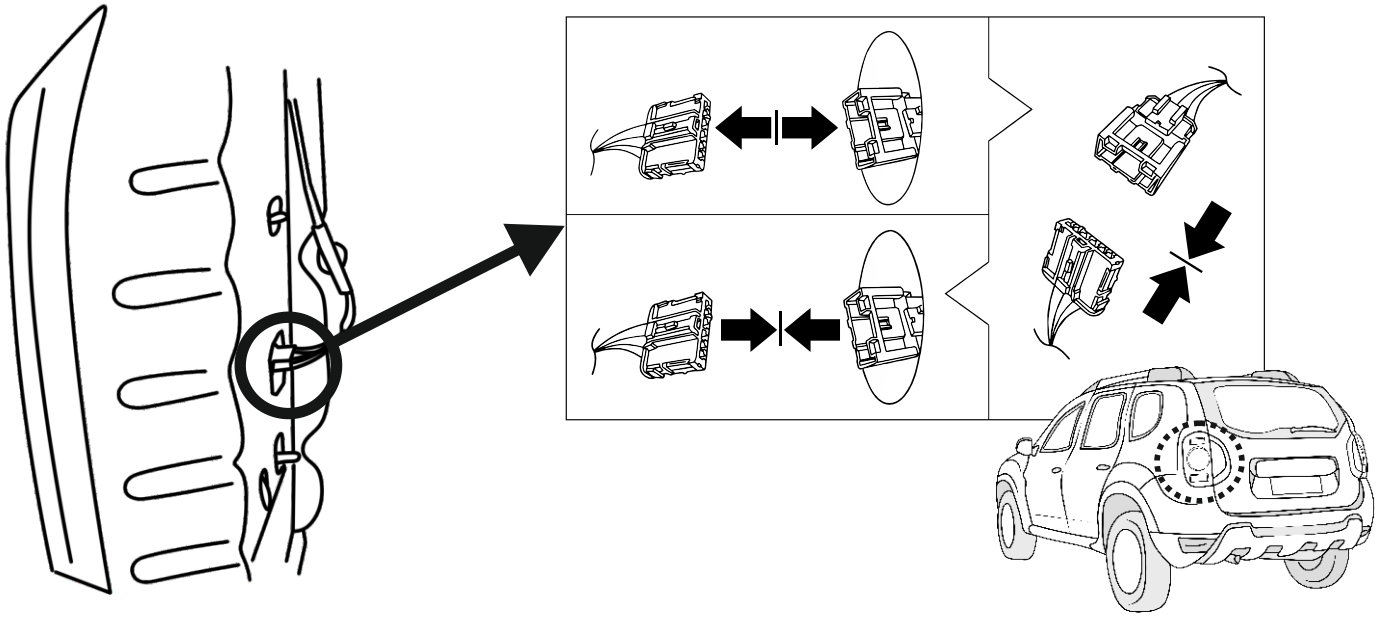
!

()
() . !

!)
CODE
CODE ()



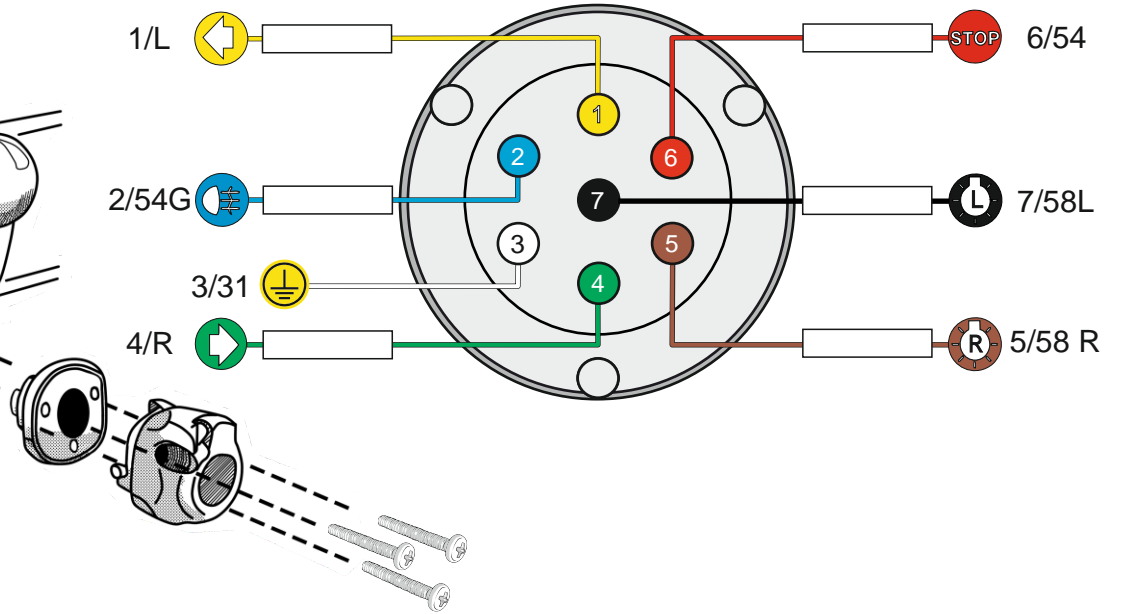
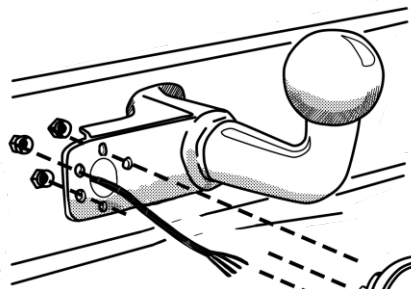




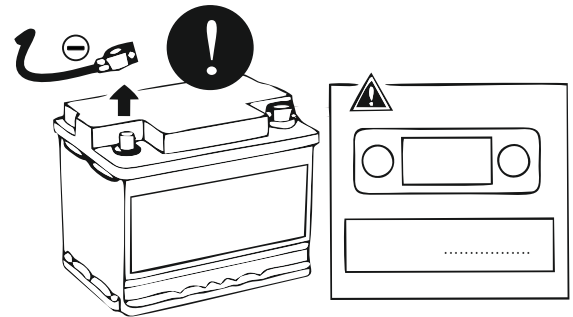
9200-76

9200-76							
	1/L	2	3/31	4/R	5/58-R	6/54	7/58-L
	21W	2x21W		21W	21W	2x21W	21W
					-		

[]



[]



[]

