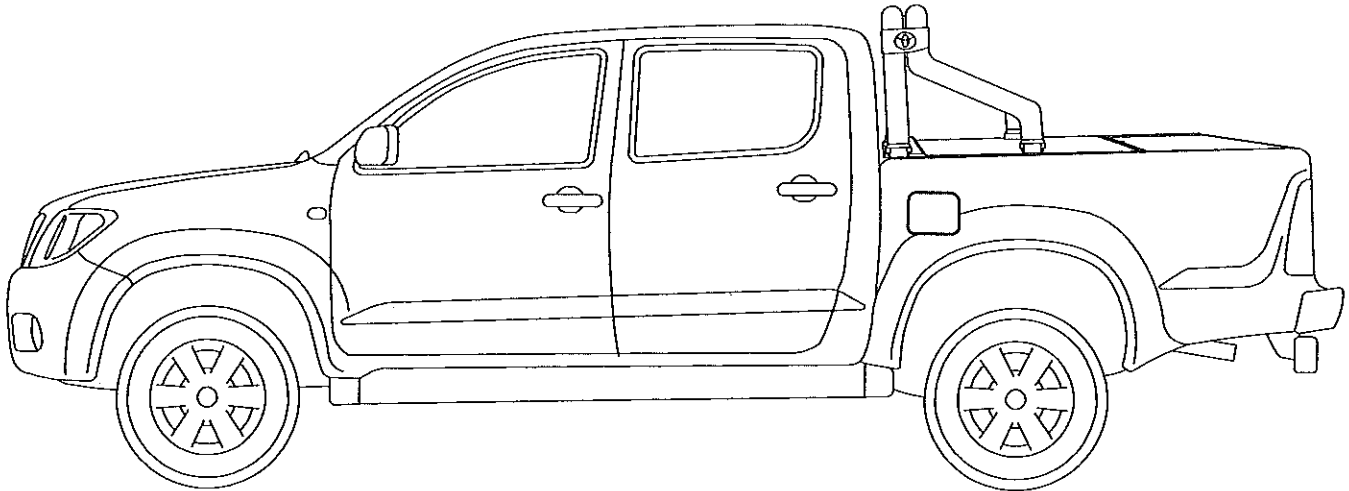


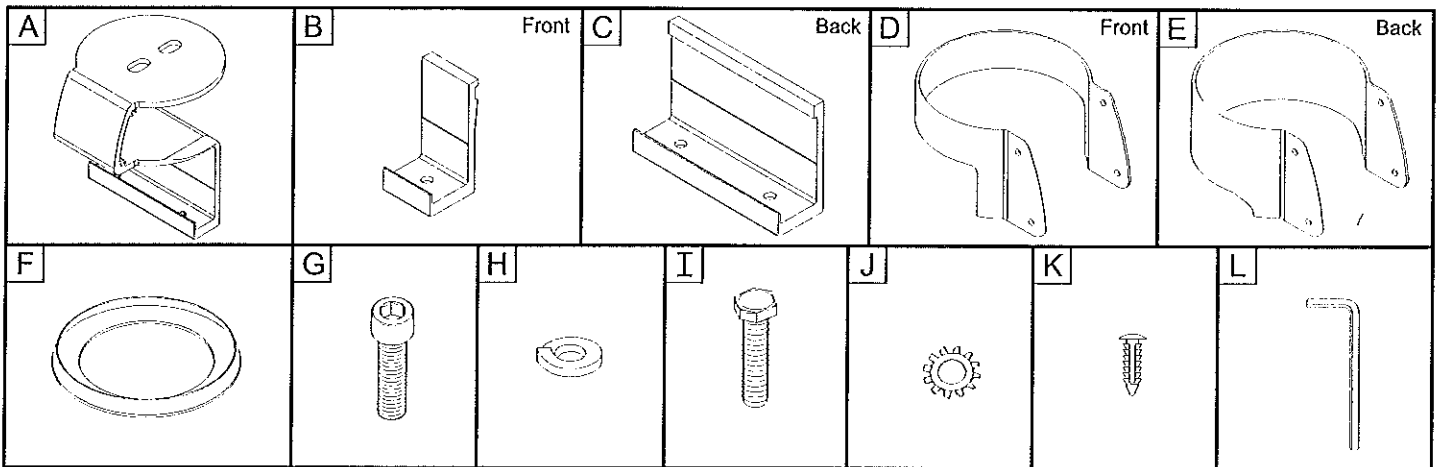
QwikFoot™

Installation Guide Toyota Hilux - QF517

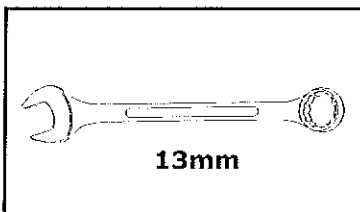


Parts List

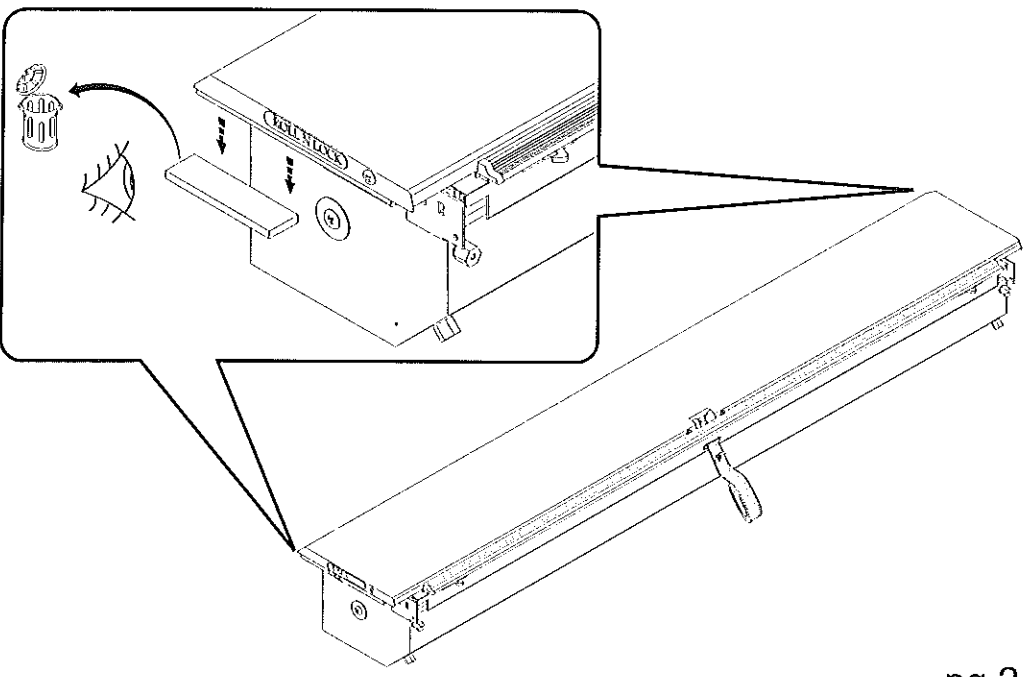
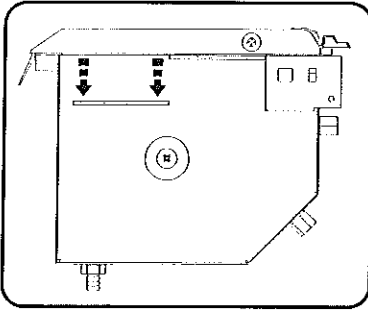
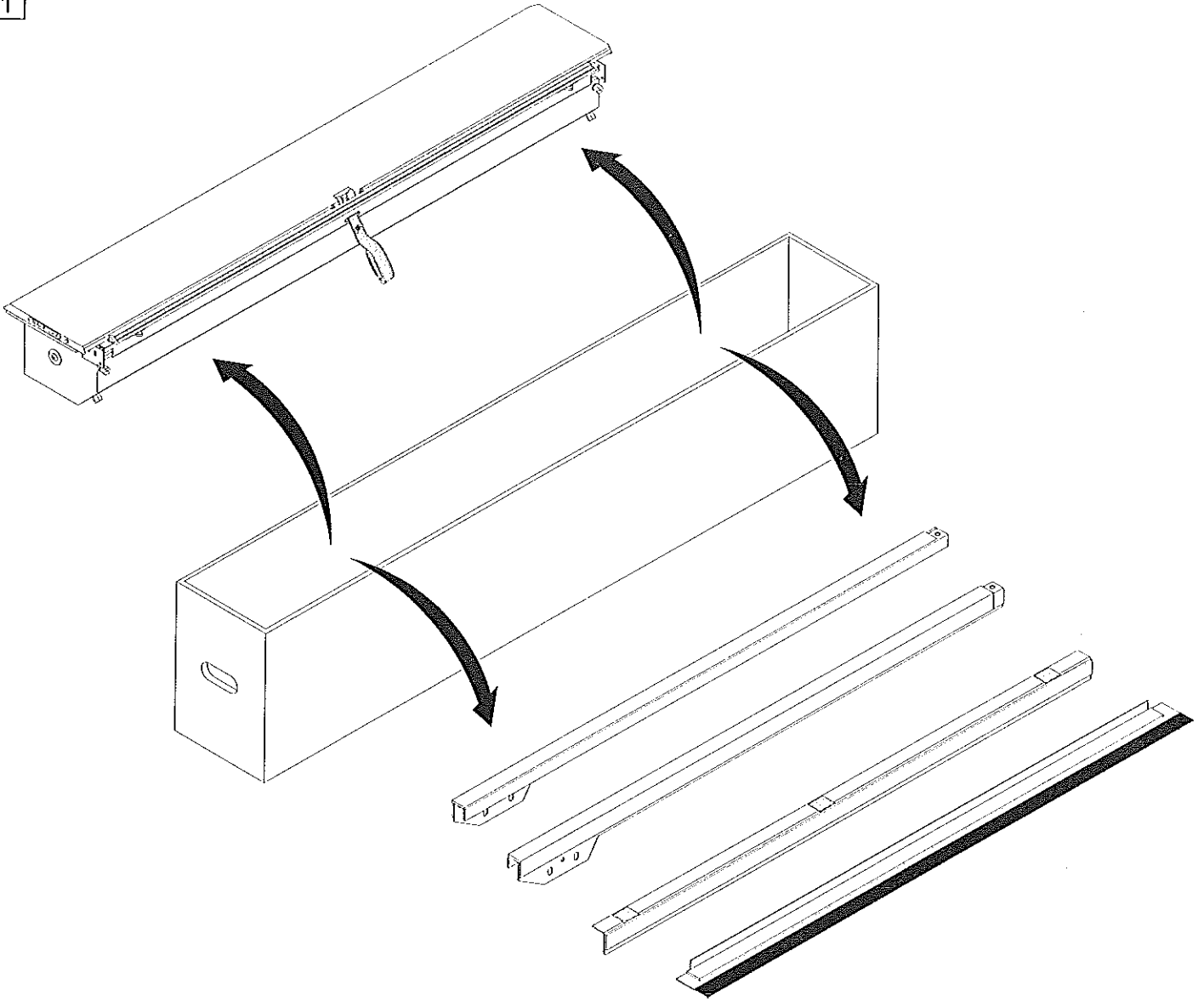
Item	Part Name	Qty.	Item	Part Name	Qty.	Item	Part Name	Qty.
A	QF517 Bracket	4	E	QF Sleeve (Back)	2	I	M8 x 50mm Hex Head Screw	8
B	QF Bed Clamp (Front)	2	F	Trim Ring	4	J	M8 External Tooth Washer	8
C	QF Bed Clamp (Back)	2	G	5/16-18 Socket Screw	4	K	QwikFoot Tree Clip	16
D	QF Sleeve (Front)	2	H	5/16" Lock Washer	4	L	1/4" Allen Wrench	1



Tools Needed



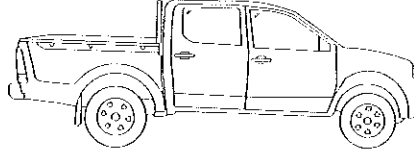
1



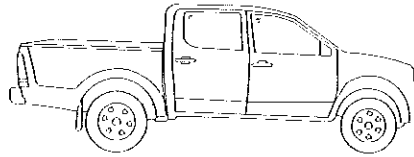


INSTALLATION GUIDE TOYOTA HILUX

"A" DECK (SMOOTH SIDE)



"J" DECK (HOOK SIDE)



PRODUCT CODE:

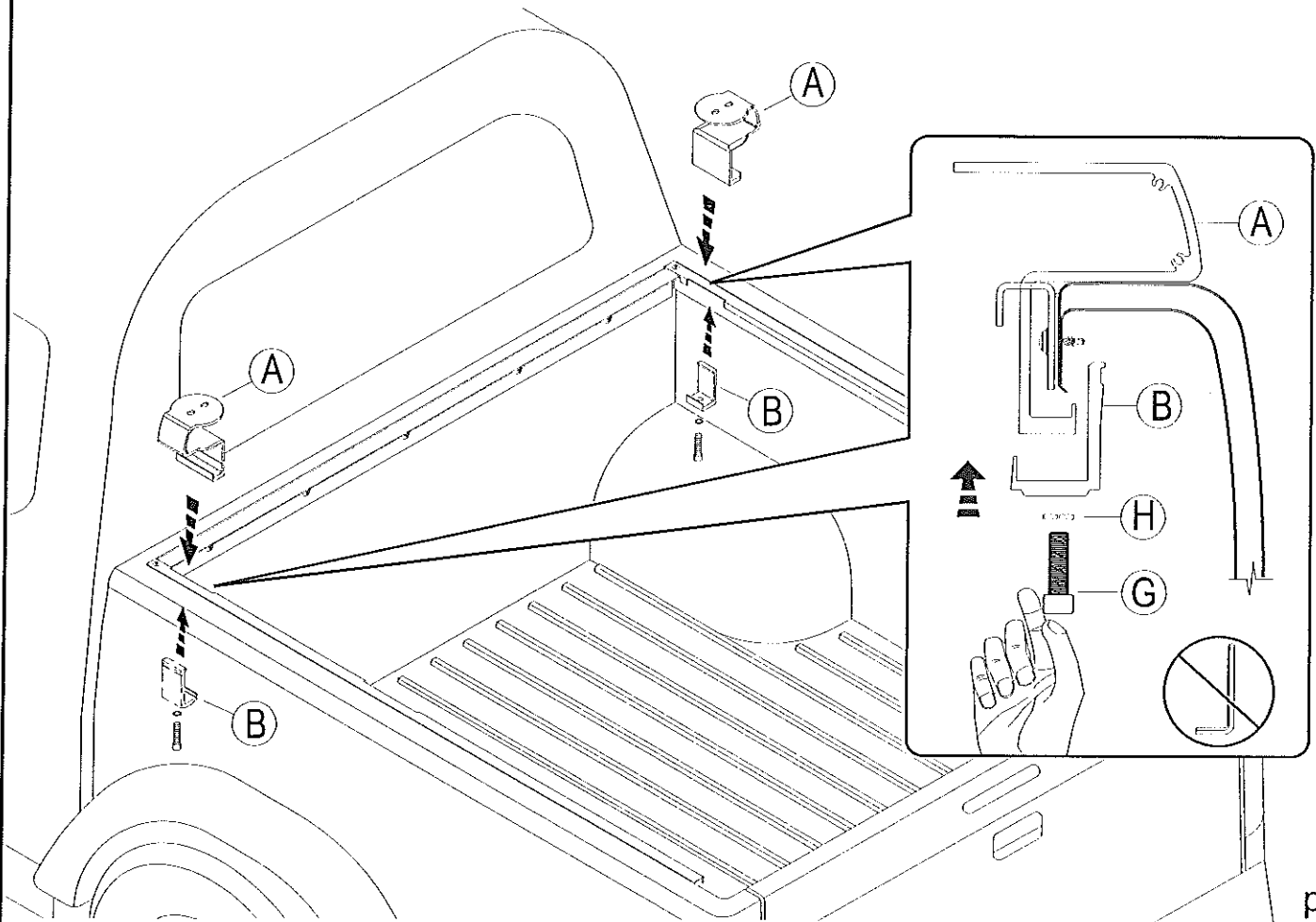
517M

November 1, 2012

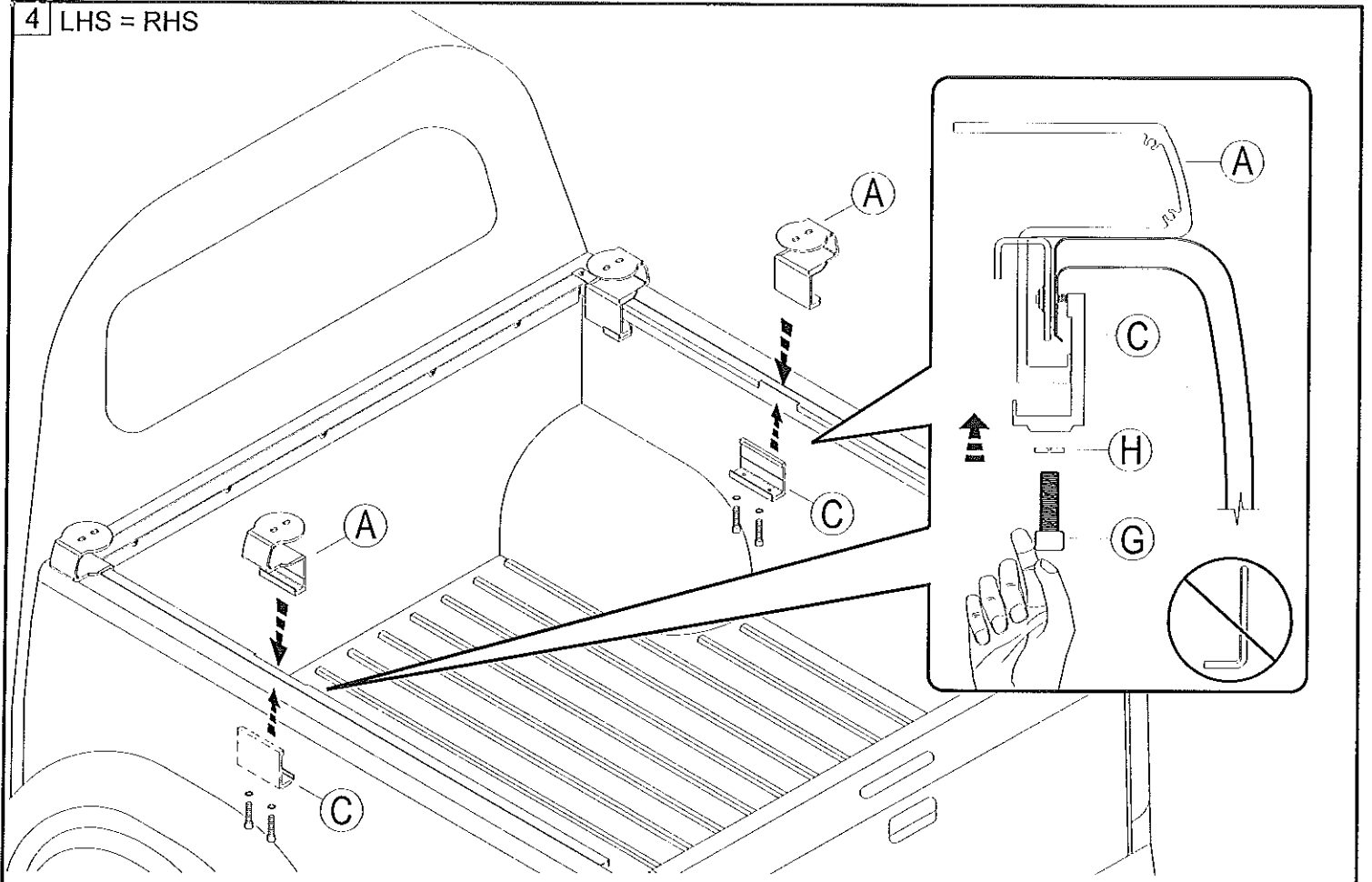


Install Step 1 - 8

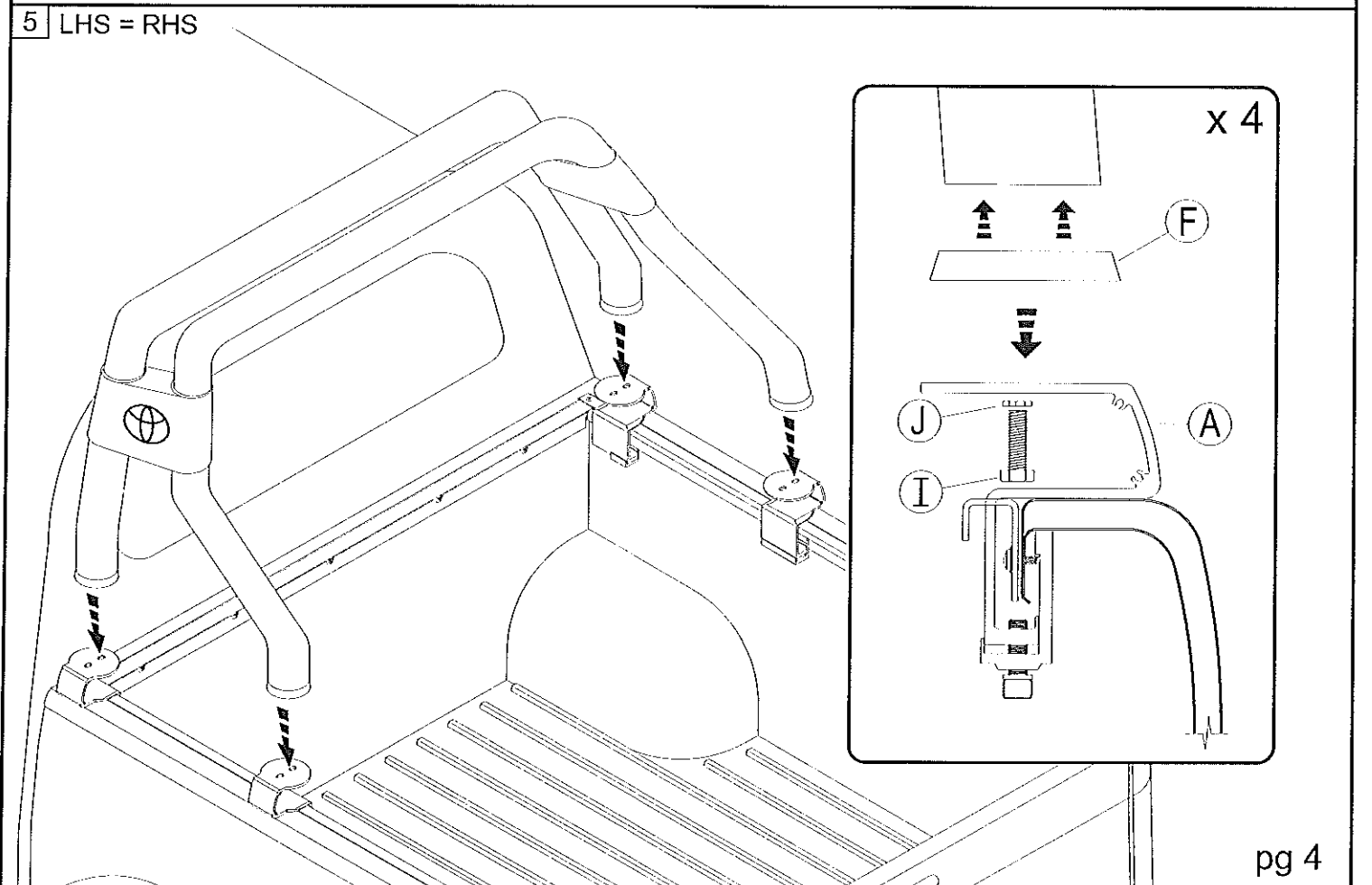
3 LHS = RHS



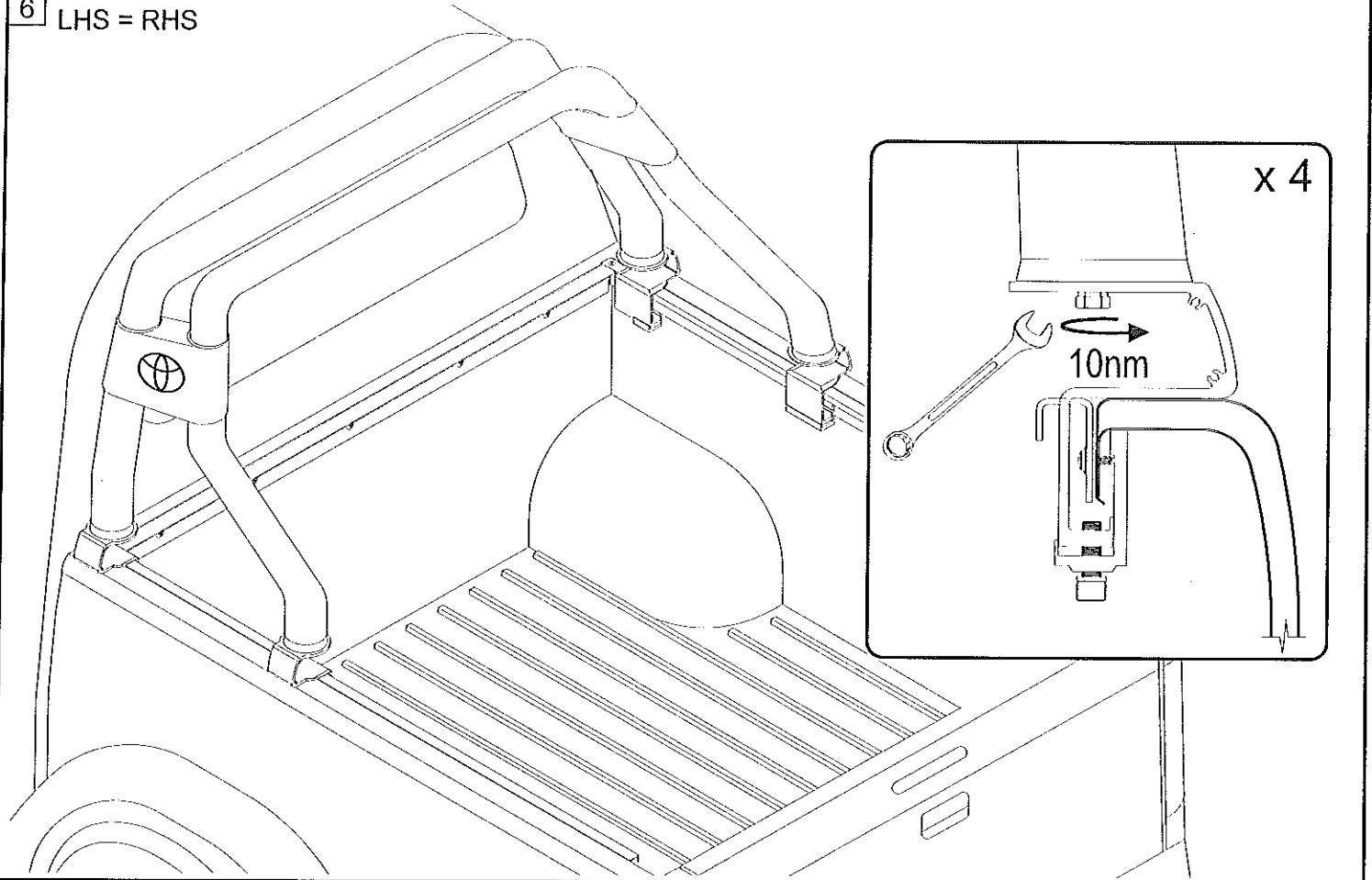
4 LHS = RHS



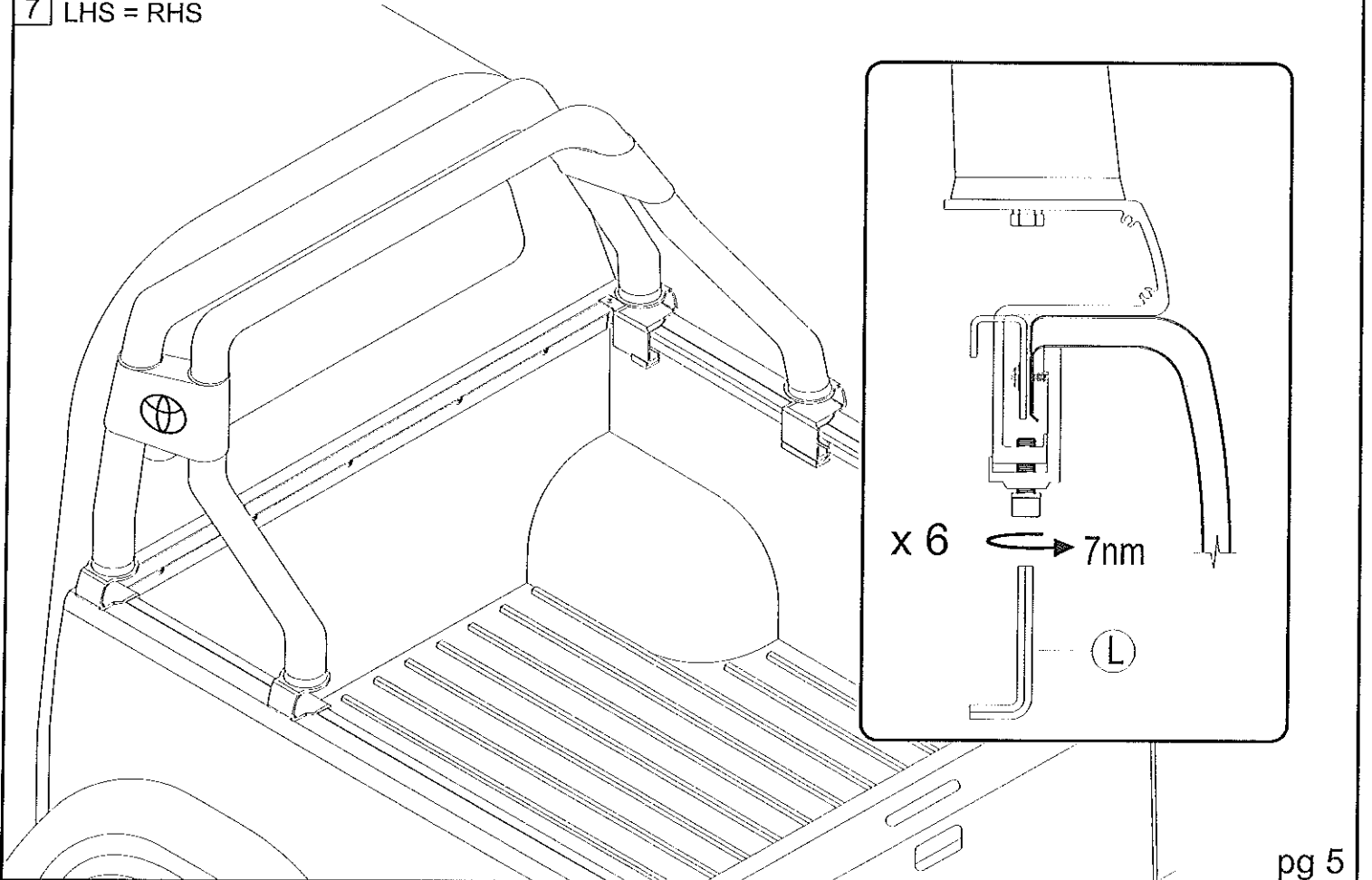
5 LHS = RHS



6 LHS = RHS



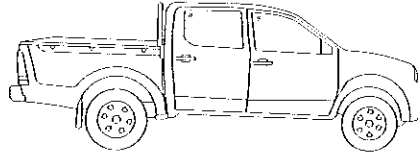
7 LHS = RHS



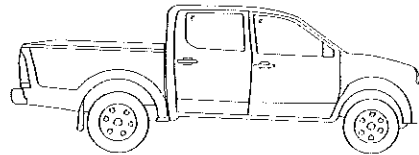


INSTALLATION GUIDE
TOYOTA HILUX

"A" DECK (SMOOTH SIDE)



"J" DECK (HOOK SIDE)



PRODUCT CODE:

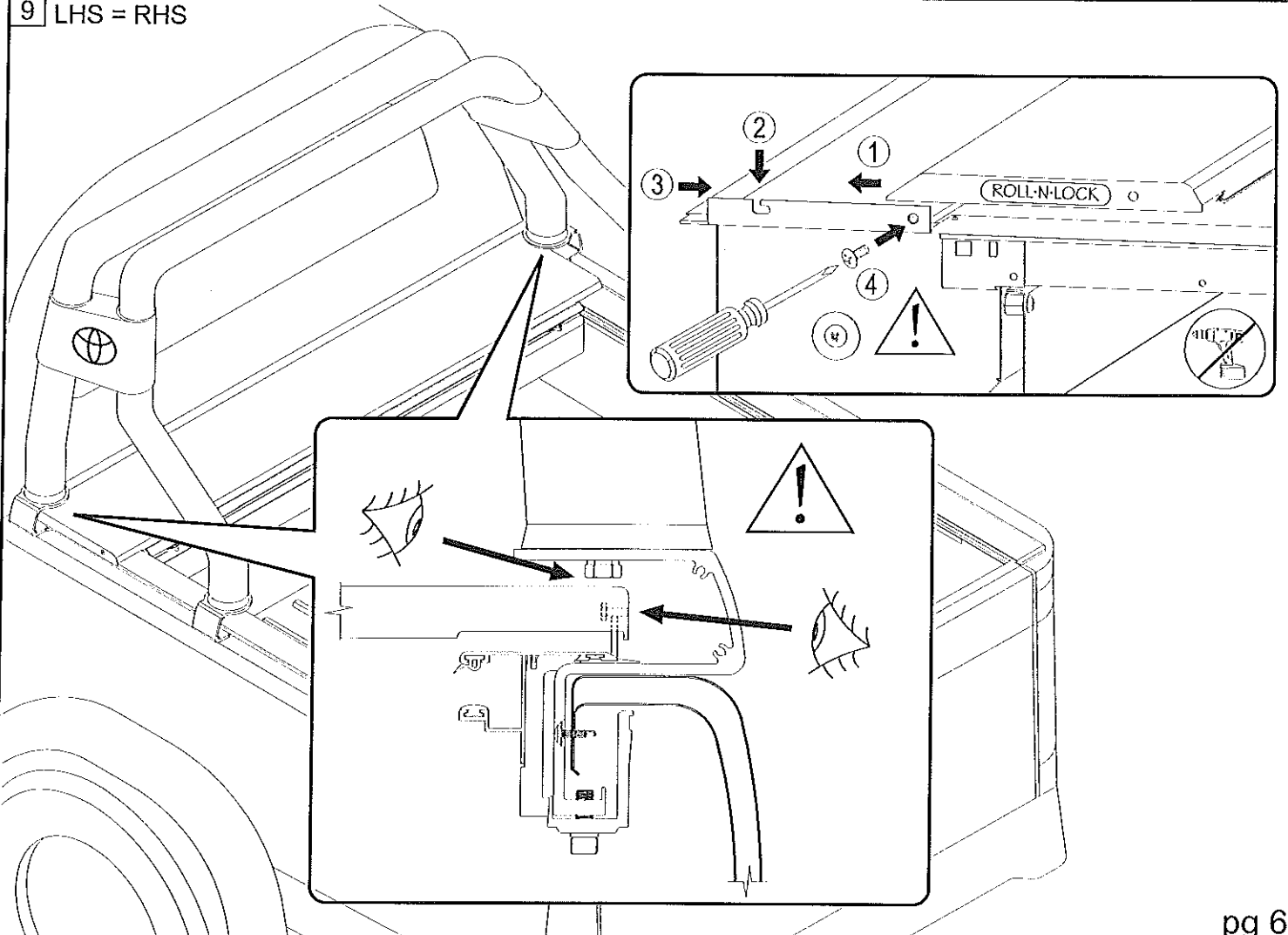
517M

November 1, 2012

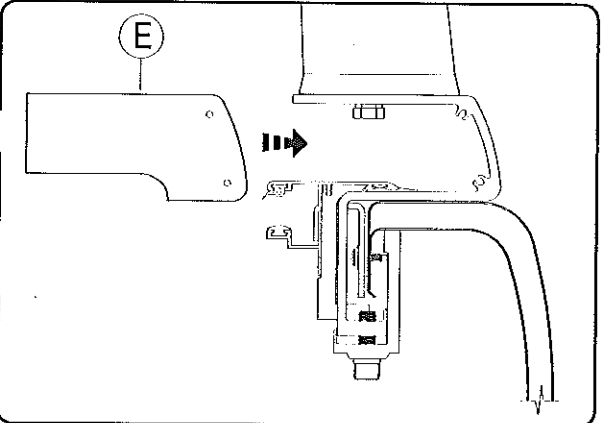
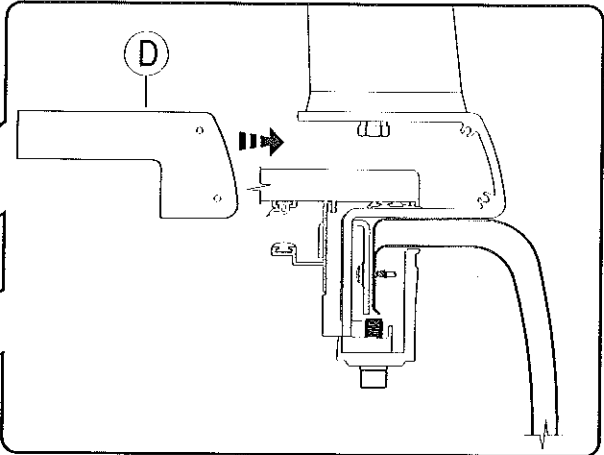
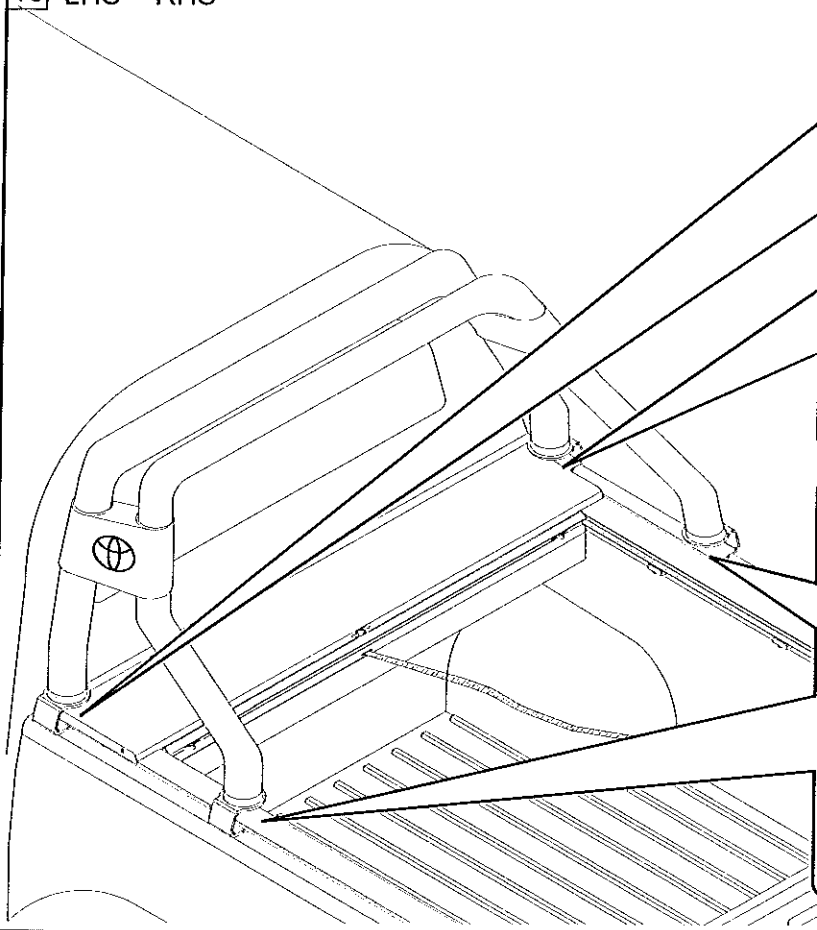


Install
Step 9 - 17

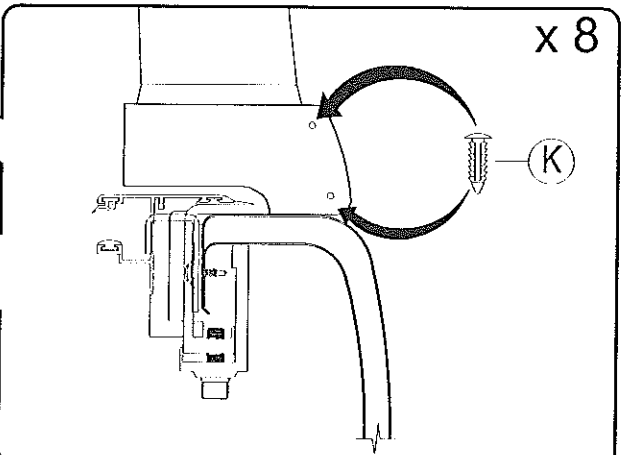
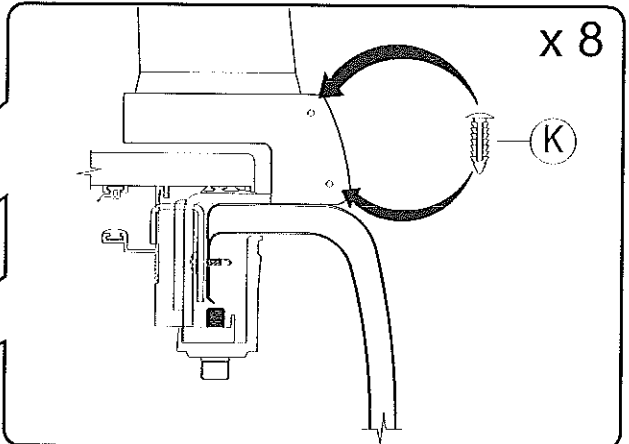
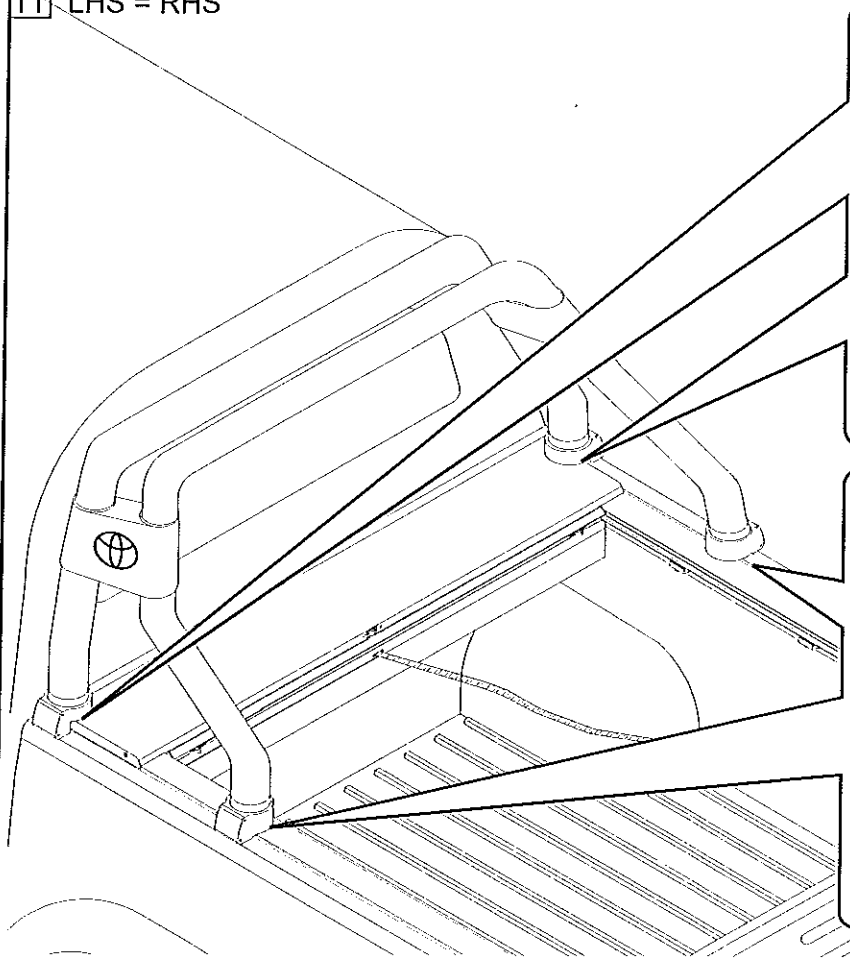
9 LHS = RHS



10 LHS = RHS



11 LHS = RHS

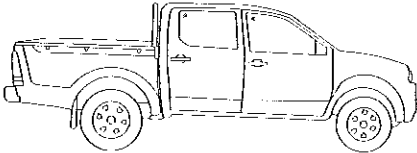




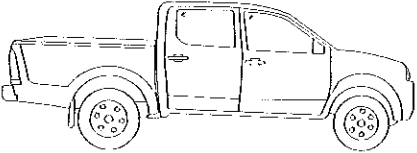
Install
Step 19- 22

INSTALLATION GUIDE
TOYOTA HILUX

"A" DECK (SMOOTH SIDE)



"J" DECK (HOOK SIDE)



PRODUCT CODE:
517M
November 1, 2012

A rectangular box containing the title 'INSTALLATION GUIDE TOYOTA HILUX', two sub-headers for deck types ('A' DECK (SMOOTH SIDE) and 'J' DECK (HOOK SIDE)), corresponding line drawings of the trucks, and product information including the product code '517M' and the date 'November 1, 2012'.